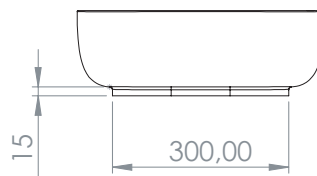
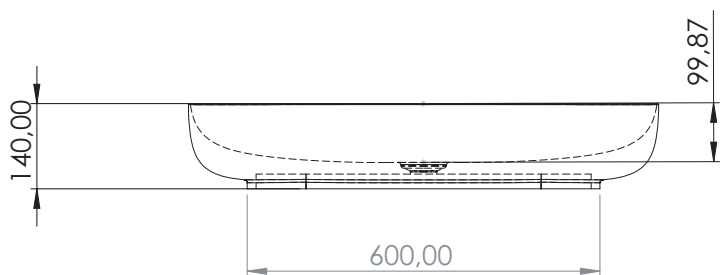
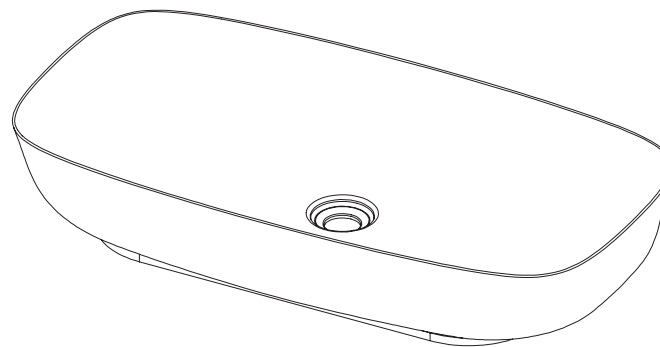
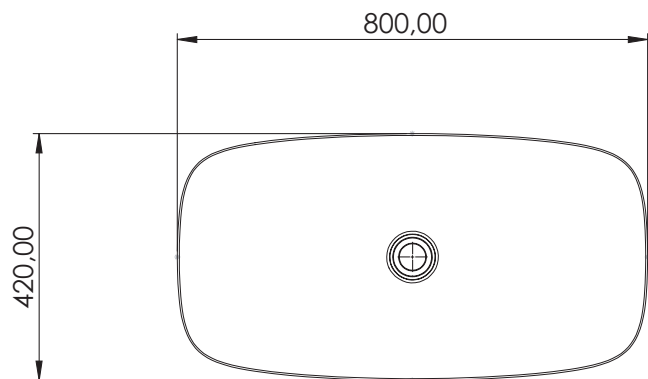


TOLLERANCE: ± 5 mm



*\*predisposizione piletta in ceramica*  
*\*predisposition for ceramic waste*

**AT**  
ITALIA

ART.  
**L680**

**VESS**  
Vess 80

MATERIAL: FIRE-CLAY

REV. 09.07.2021