

Hood Flat white 2513 161 - 2513 191 - 2513 121



Hoods

Code: 2513 161 - 2513 191 - 2513 121

Code: 2513 161 (hood 60 cm)

Code: 2513 191 (hood 90 cm)

Code: 2513 121 (hood 120 cm)



DETAILS

Coloring	White
Material	Glass
Energy class	A
Product details	Undercabinet with optional telescopic chimney and stainless engine-cover
Grease filters	Grease filters: 1 filtre for 60 cm hood, 2 filters for 90 cm hood, 4 filters for 120 cm hood
Operation	Suction hood (filtering mode with optional carbon filters)
Air exhaust hole	ø 120/150 mm
Lighting	Strip LED lighting (4.200 kelvin)

Air flow rate 750mc/h

Motor power 275W

Hood type Built-in suction hood

Type of commands Touch Control

Suction speed 4 operating speeds

Notes: Fume exhaust ducts must have an internal diameter not lower than 120 mm

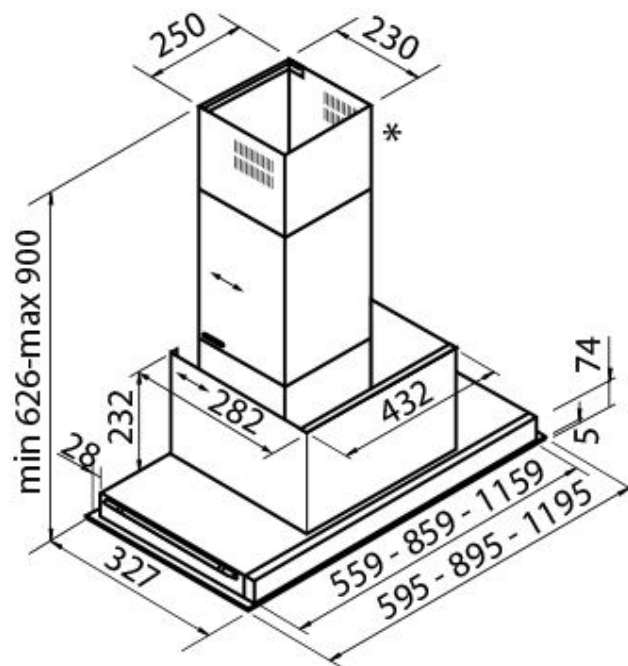
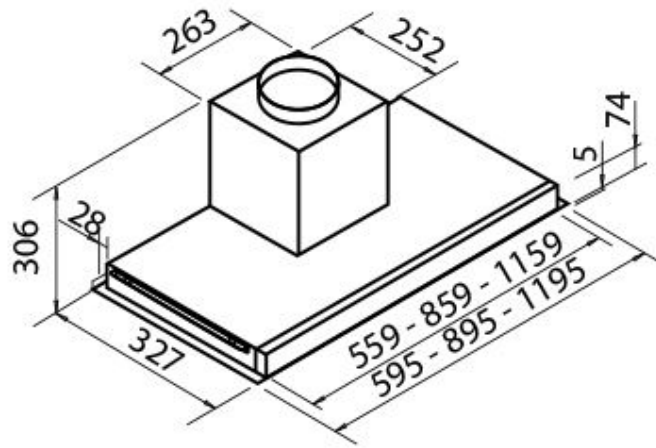
FEATURES

Auto delayed shutdown All the models with electronic interface can be programmed to turn off the suction at a postponed moment, so as to prolong the aeration of the room even after the cooking has been completed.

Led lighting Particular attention to energy saving with LED lighting systems. They assure a 10 times lower consumption and a 10 times longer duration. Our LED lights are designed to create an adequate comfort and safety in the cooking area.

Perimetric aspiration The perimeter suction is a feature common to many Foster hoods. The filters are hidden by steel- or crystal plates and the suction occurs along their perimeter. This has aesthetic advantages but also functional ones: the cleaning is easier, the suction power and noise-level are improved. The depression which occurs in the perimeter area facilitates in fact the suction of the particles composing the fumes.

TECHNICAL DATA



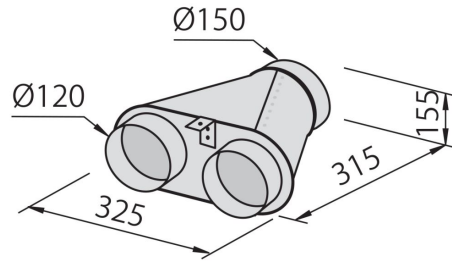
GALLERY



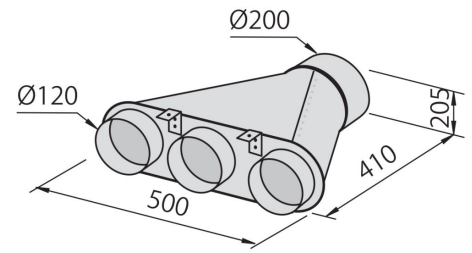
OPTIONAL ACCESSORIES



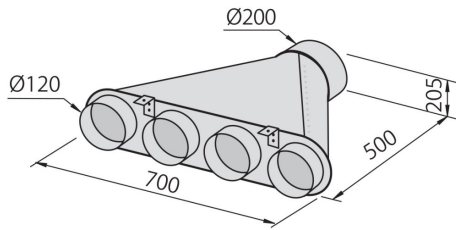
Carbon filter 9700 600



Collector for 2 pipes 2523 000



Collector for 3 pipes 2524 000



Collector for 4 pipes 2525 000



Flexible silencing canalization
9700 602



Flexible silencing canalization
9700 603



Stainless steel motor cover box
2539 200



Stainless steel telescopic
chimney 2539 000