

TECHNICAL DATA SHEET (auxiliary)

TOP UNIIQ

Materials

• **Manufacture of worktops (thickness=20 mm):**

- Compact natural stone worktop 20 mm machined to size for the UNIIQ series furniture models.

What is compact natural stone?

It is a product that perfectly combines natural and technology. Its composition is 95% natural ground marble and 5% resin and colouring.

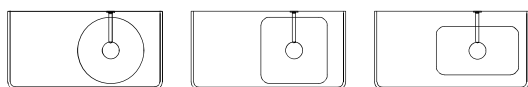
Packing dimensions and weight

	900	1200
Lenght mm.	1000	1100
Depth mm.	700	700
Height mm.	27	27
Net weight Kg.	22,5	29,3
Gross weight Kg.	23	30

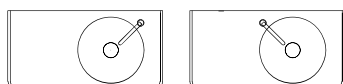
Surface-mounted washbasins are available with top-mounted

Wall tap

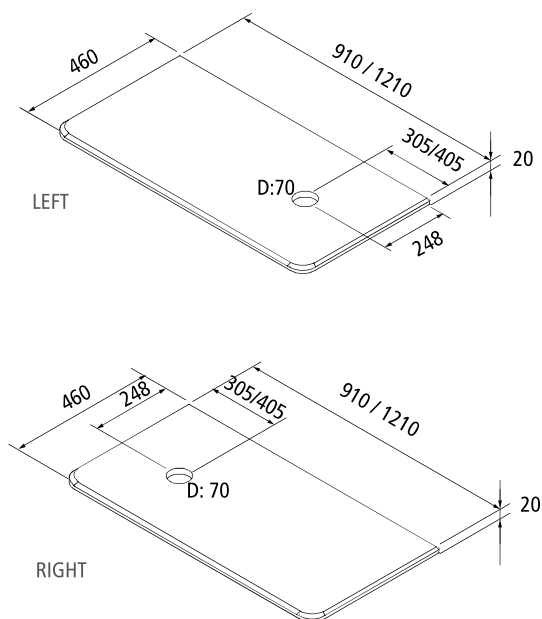
ALTIRO / BOL / SEDUCTION / DESIR / DOLCE / SENSATION



Countertop tap on the right or left side of the washbasin
ALTIRO / BOL / SEDUCTION / DESIR / DOLCE / SENSATION



Technical scheme



Finish



Calacatta



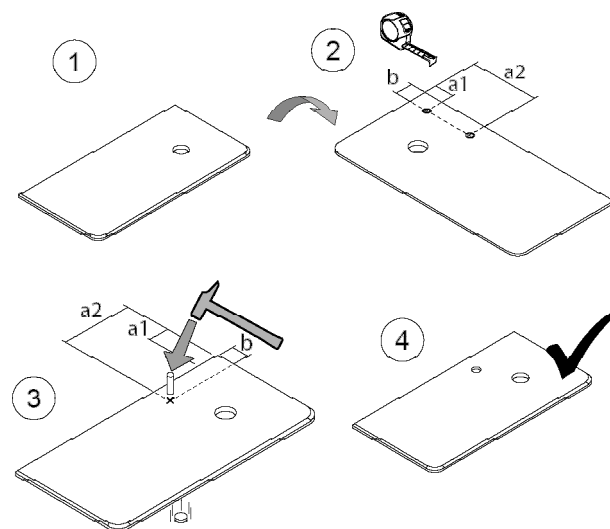
Grey Polar



Black marquina

Tap installation using the machining process

Example of a LEFT SIDE WORKTOP
(the washbasin placed on the right side of the worktop):



	910	1210
a1	130	230
a2	480	580
b	70	70