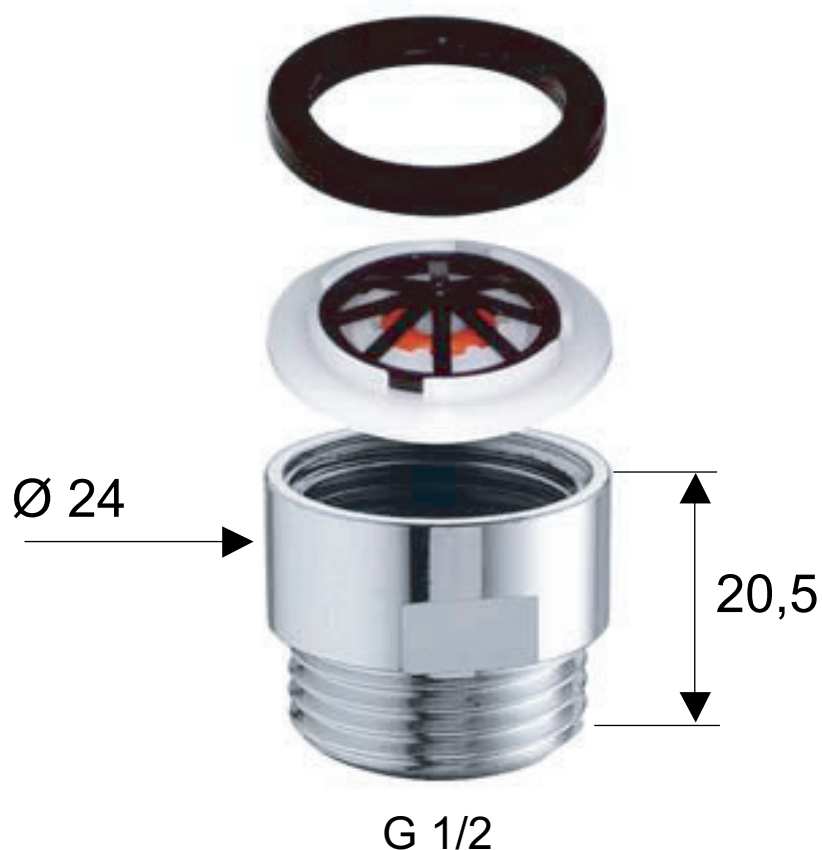


ART. COD.

A520R L6 / L8



PORTATA / FLOW RATE **6 / 8 l/min.**

MATERIALI / MATERIALS

OTTONE CROMATO / CHROME PLATED BRASS

CROMATURA / CHROME PLATING

UNI EN 248