

Features

- Generous 6-foot length provides an incredibly spacious bathing area.
- Sloped lumbar support offers extra comfort while bathing.
- Center drain.
- Coordinates with other products in the Escale collection.

Material

- Acrylic.

Installation

- Freestanding.

Required Products/Accessories

K-7219 Bath Drain

Recommended Products/Accessories

K-922 Wall- Or -Ceiling-Mount Bath Filler
K-923 Wall- Or -Ceiling-Mount Bath Filler
K-1601 Bath/Whirlpool Footstop
K-1676 Bath/Pillow
K-24916 Wireless Music Kit
K-23726 Drain treatment
K-23732 Tub & shower cleaner



Codes/Standards




CSA B45.5/IAPMO Z124
ASTM E162
ASTM E662

KOHLER® Plastic Baths and Receptors Lifetime Limited Warranty

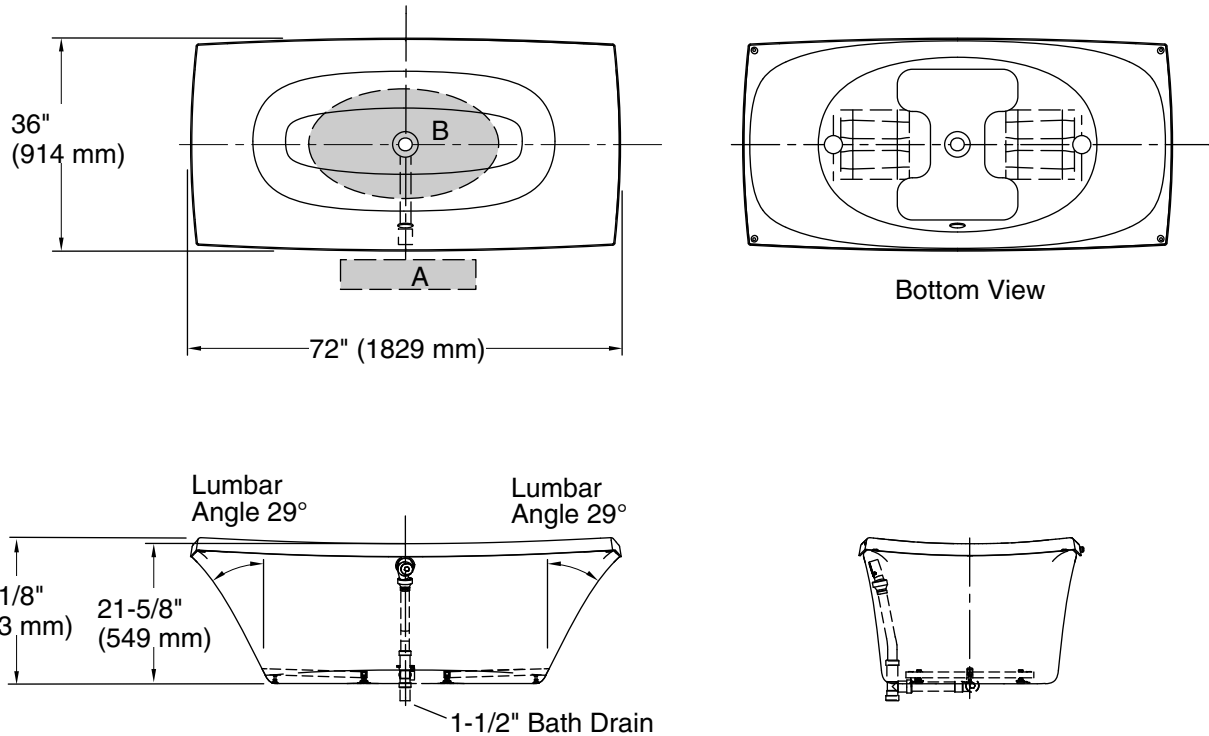
See website for detailed warranty information.

Available Colors/Finishes

Color tiles intended for reference only.

| Color | Code | Description |
|--|------|-------------|
|  | 0 | White |
|  | 96 | Biscuit |
|  | 47 | Almond |

No change in measurements if connected with drain illustrated. (K-7219)



Technical Information

All product dimensions are nominal.

| | |
|---------------------|---|
| Installation: | Freestanding |
| Drain location: | Center |
| Basin area, bottom: | 46-3/4" x 21-5/8" (1187 mm x 549 mm) |
| Basin area, top: | 69-15/16" x 34-3/8" (1776 mm x 873 mm) |
| Weight: | 100 lbs (45.4 kg) |
| Minimum floor load: | 43 lbs/ft ² (209.9 kg/m ²) |
| Water depth: | 16-1/2" (419 mm) |
| Water capacity: | 71 gal (268.8 L) |
| Template: | Footprint, 1055345-7, required, included |

Notes

Measure your actual product for rough-in details.

Install this product according to the installation instructions.

The hot water supply should be 70% of the capacity of the bath or greater. Installations will vary.