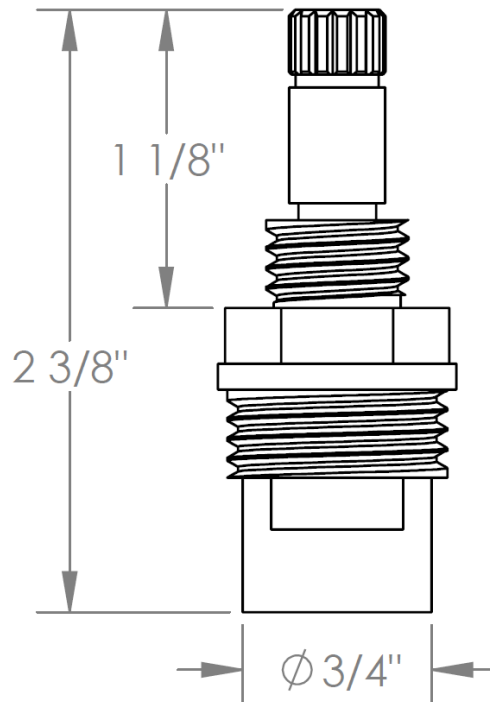
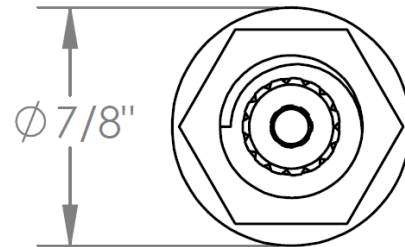


CRT502-C

Cartridge for 2 Hole Exposed Wall Mounted Tub Filler – Cold
Quarter Turn Clockwise



Meets the applicable requirements of ASME A112.18.1-2005/CSA B125.1-05, entitled "Plumbing Supply Fittings"

WATERMARK DESIGNS 2/27/2019

350 Dewitt Ave Brooklyn NY 11207 USA T 718 257 2800 F 718 257 2144 info@watermark-designs.com