

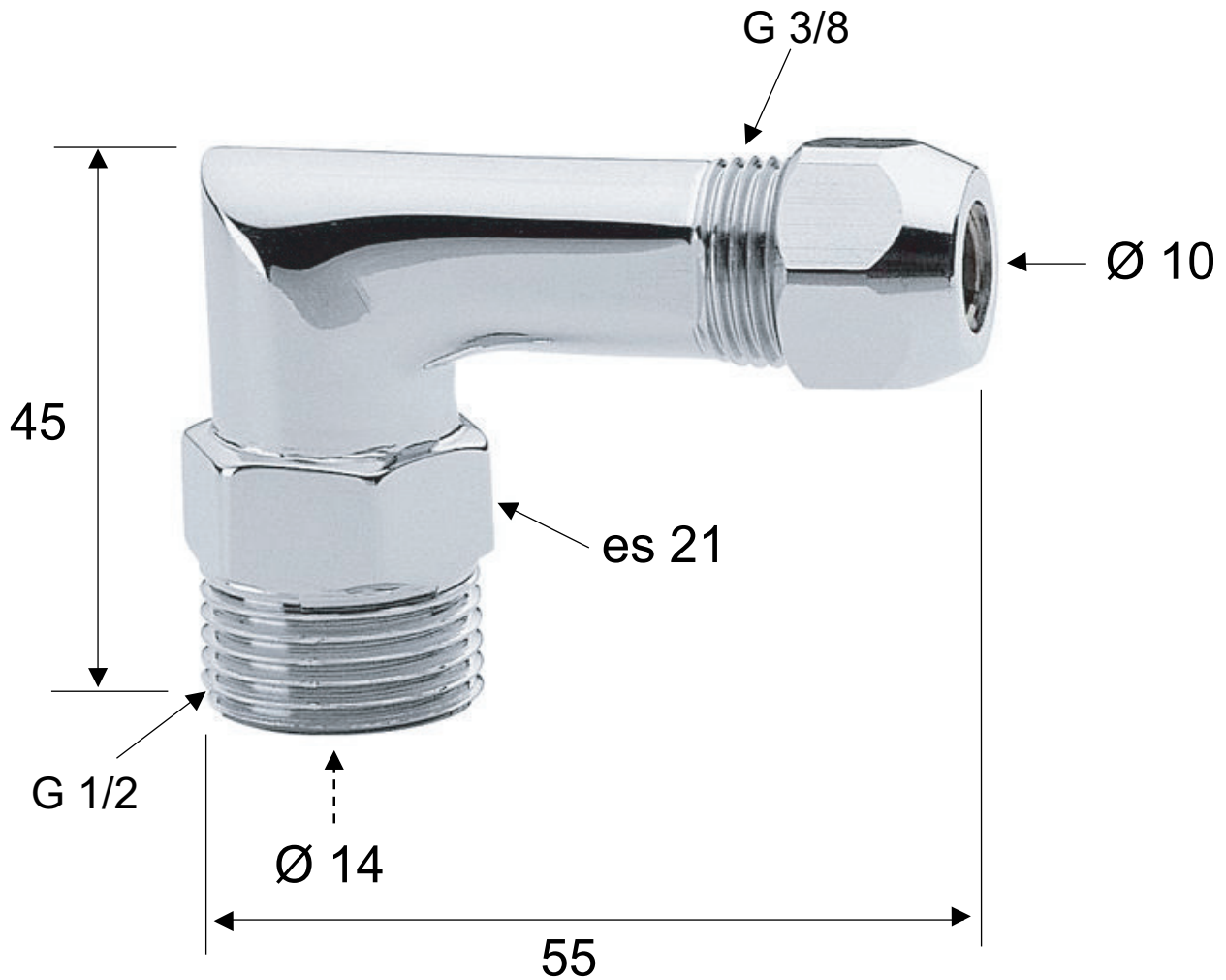


**DANIEL**

SCHEDA TECNICA TECHNICAL FEATURES

ART. COD.

**A936M1210**



**MATERIALI / MATERIALS**

OTTONE / BRASS

CW617N UNI EN 12165

GUARNIZIONI / GASKETS

NBR

FILETTATURE / THREADS

UNI ISO 228/1

CROMATURA / CHROME PLATING

EN 248

**CROMATURA / CHROME PLATING**

UNI EN 248