

TOWEL SHELF VINCI - 400 / 600

Materials

- **Aluminum structure matt black:**
Aluminum structure, square section tube of 20x20mm. Matt black lacquered finish.
 - **Internal Structure panels (Thickness = 16mm):** Laminated particle board with neutral finish and PVC edges.
- * All panels used in the manufacture of this unit are classed as E-1 grade with low level of formaldehyde content.



E-1

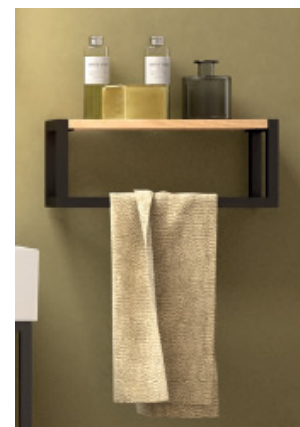
STANDARD
EN 120

Metal Fittings

- **Wall brackets:** high resistance wall brackets with two independent regulations.

Characteristics

- **Structure is provided disassembled**



Packaging Dimensions and weight (mm).

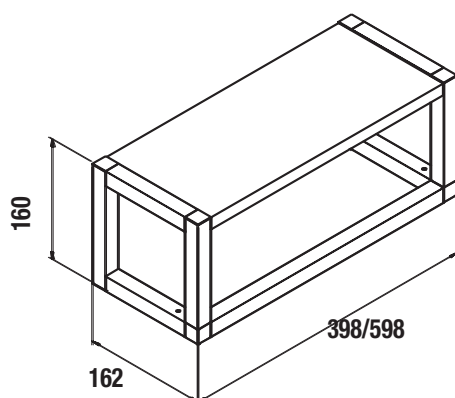
	400	600
Length	425	625
Profundity	215	215
Height	100	100
Net Weight	1,85	2,9
Gross Weight	2,12	3,3

Vanity finishes



Africa Oak

Vanity dimensions



STRUCTURE DISASSEMBLED

