

Hood Pitagora 2439 003

Hoods

Code: 2439 003



DETAILS

Material AISI 304 stainless steel

Texture Satin

Chimney height 450 - 850 mm

Energy class A

Product details Telescopic chimney

Grease filters 2 grease filters

Operation Suction hood (filtering mode with optional carbon filters)

Air exhaust hole \varnothing 150 mm

Lighting LED lighting (2x2,1 W) - 4.000 kelvin

Air flow rate 750mc/h

Motor power 250W

Hood type Corner suction hood

Type of commands Minimal electronic controls

Suction speed 4 operating speeds

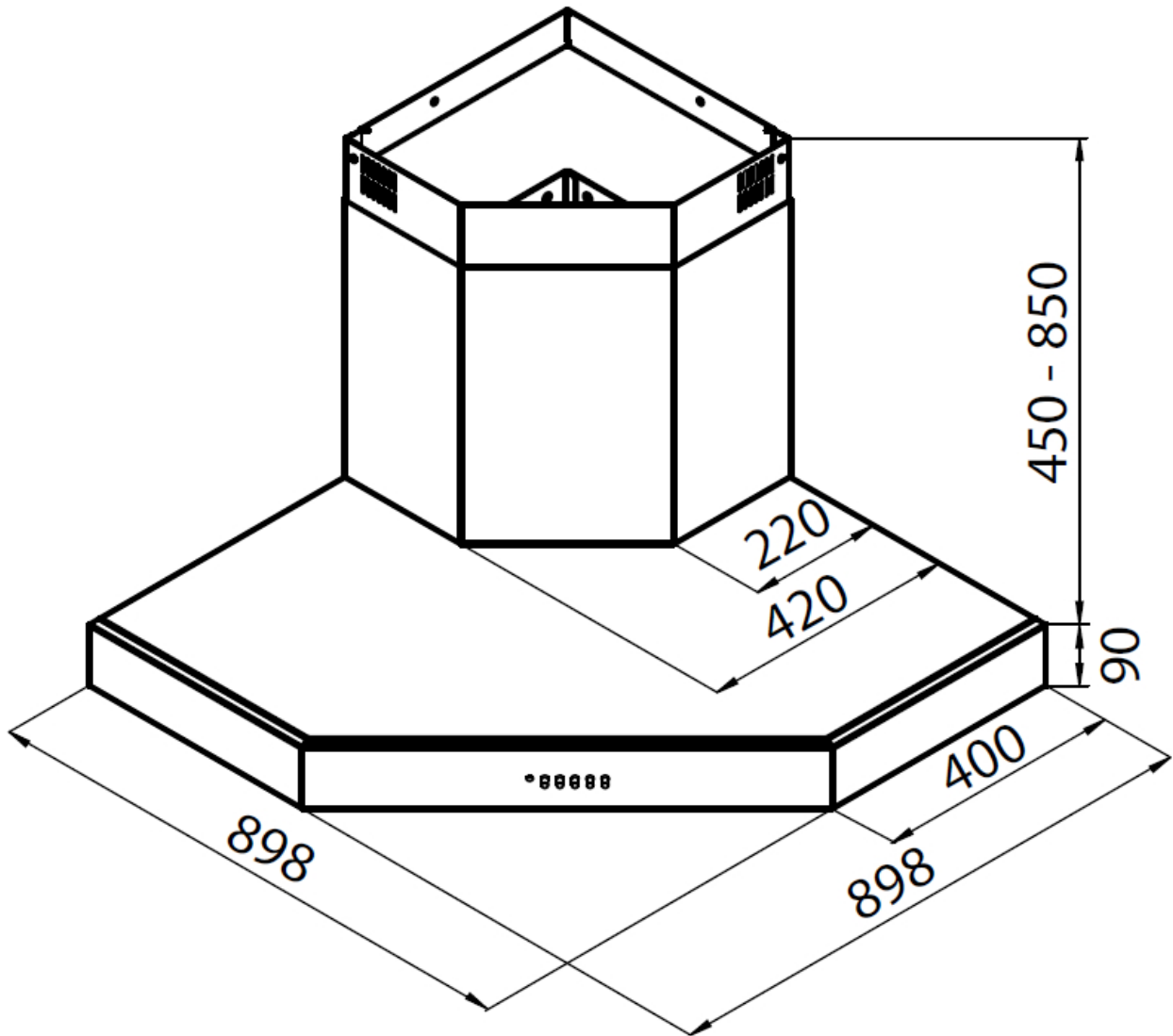
Notes: Fume exhaust ducts must have an internal diameter not lower than 120 mm

FEATURES

Auto delayed shutdown All the models with electronic interface can be programmed to turn off the suction at a postponed moment, so as to prolong the aeration of the room even after the cooking has been completed.

Led lighting Particular attention to energy saving with LED lighting systems. They assure a 10 times lower consumption and a 10 times longer duration. Our LED lights are designed to create an adequate comfort and safety in the cooking area.

TECHNICAL DATA



OPTIONAL ACCESSORIES



Carbon filter 9700 409



Flexible silencing canalization
9700 602



Flexible silencing canalization
9700 603