



IB RUBINETTI

Collection

BELMONDO

Article

BL220

Description

Monohole bidet mixer

Box Dimensions

340 x 180 x 70 mm

Weight

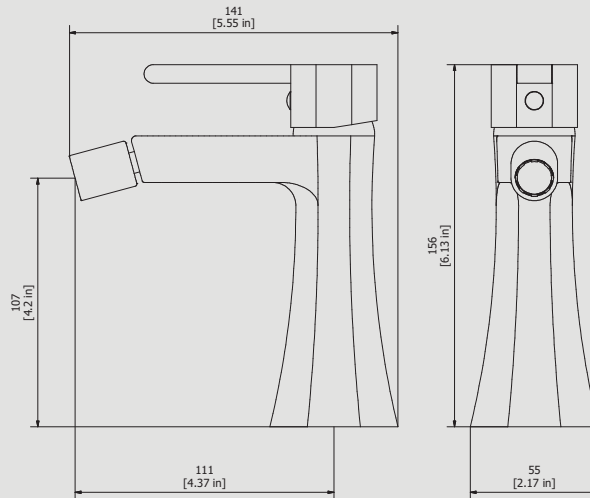
1.8 kg



Finishes

- **CC**
CHROME
- **CF**
BLACK CHROME
- **OO**
GOLD
- **BB**
ANTIQUÉ BRONZE
- **SS**
BRUSHED NICKEL
- **CS**
BRUSHED BLACK CHROME
- **BO**
MATT WHITE
- **ONP**
MATT BLACK
- **IS**
BRUSHED PALE GOLD
- **OS**
BRUSHED GOLD
- **II**
PALE GOLD
- **RR**
ANTIQUÉ COPPER
- **RS**
ROSE GOLD
- **ON**
NATURAL BRASS
- **SR**
BRUSHED ROSE GOLD
- **PL**
PLATINUM

Dimensions



Cartridge

Ø25 ceramic cartridge

Hoses

Inox hoses G3/8" female 450 mms long

Aerator

M16.5X1

Flow Rate (+/-10%)

1 BAR	2 BAR	3 BAR
9.5 l/min	13 l/min	19 l/min

Production

Main body is a single casted pieces

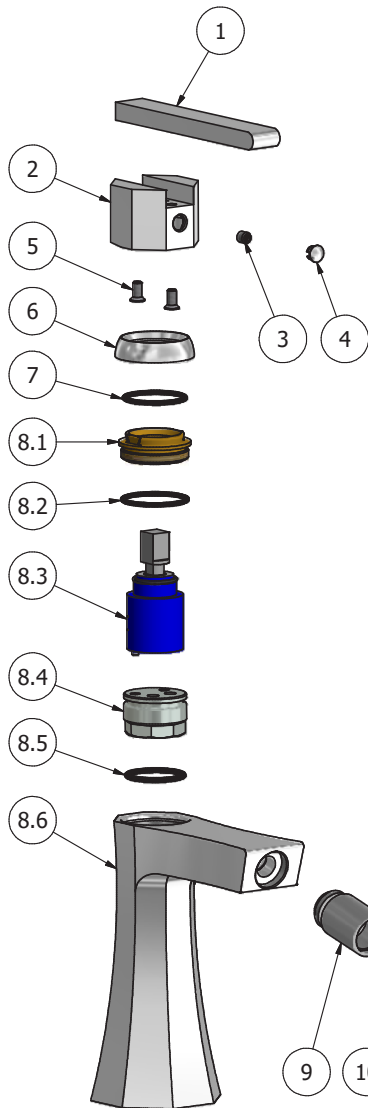
Material

BRASS
According to CuZn35Pb2AL-B (CB752S)
Max Lead content: 1.36%

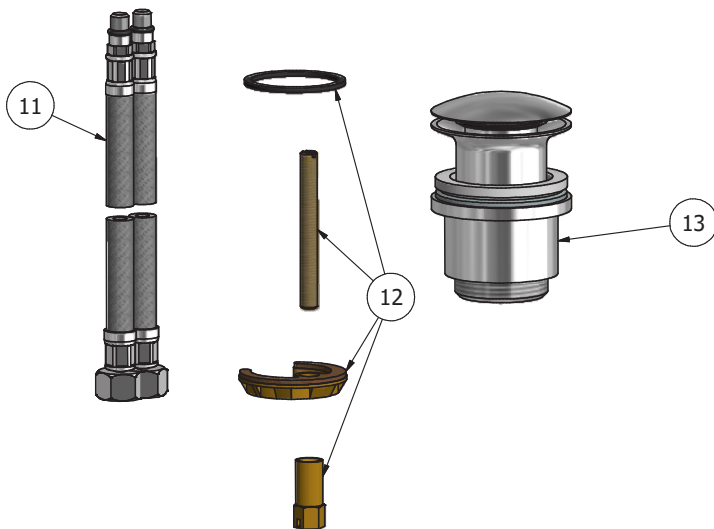




IB RUBINETTI



Parts list			
ELEM	CODE	DESCRIPTION	QT
1	AC0011468	Rectangular lever 15x8 H100	1
2	AC0011467	Handle H27 octagonal 37	1
3	AQ0001100	Grubscrew M5x5 p.p.	1
4	AQ0006650	Plug cover Ø7	1
5	AQ0010280	Inox screw M4X8,5	2
6	AC0012004	Cartridge fixing nut chromed cover	1
7	AQ0006586	OR 25.12x1.78 NBR 70 SH	1
8	CPKBL223C CX01	Preassembled bidet	1
8.1	AS0011182	Fixing nut M30x1 H17	1
8.2	AQ0010564	OR 26.7x1.78 NBR 70 SH	1
8.3	AQ0013098	Cartridge K25 OP S	1
8.4	AC0010810	Connection piece Ø27X18	1
8.5	AQ0010972	OR 23x2 NBR 70 SH	1
8.6	CC0001986	Bidet mixer body	1
9	AQ0010530	Articulated joint M18x1 (06.8963.1)	1
10	AQ0010590	Perlator cachè laminar (44.3330.010)	1
11	AQ0011013	Inox hose G3/8" F M8x1 M L450	2
12	AQ0010357	Fixing set	1
13	AQ0009837	Waste	1



WARRANTY

All IB Rubinetterie SpA products are warranted for 10 years from the date of purchase, for the following cases:

- Defects of casting, porosity and chrome plating.
- Operating defects caused by incorrect fabrication.

The warranty provides for repair or replacement of products with fabrication defects recognized by our technical office. There is no other type of compensation anche the merchandise must be returned FOB our warehouse. The warranty only cover surface defects (scatches, dings, etc.) on fitting that have not been installed and used, returned in its original packaging with all components. O-ring, gasket seals and components subject to wear proportional to use are warranted for 2 years.

The warranty is void in the following cases:

Error installing and putting the product into service.

Deterioration of finisched surfaces due to use of cleaning products containing acids or abrasive substances. Deterioration of surface with finishes other than chrome plating. Their durability is, in fact, dependent on the user's care and gentleness of use.

Deterioration of the fitting due incorrect installation.

Improper repairs and maintenance performed without the company's prior authorization.

The warranty from IB Rubinetterie SpA is not renewable.

Cleaning

We recommended cleaning the finish surfaces with water and soap, using a soft cloth.

Do not use detergents that cointain hydrochloric acid or abrasive substances.

