

Features

- Single-speed whirlpool offers performance and value, with 6 fully adjustable jets.
- Hydromassage flow and direction can be controlled at each jet.
- Built-in heater.
- Decked oval shape creates a graceful and spacious bathing experience.
- Molded lumbar support and armrests offer extra comfort while bathing.
- End drain.
- Integral flange helps prevent water from seeping behind wall and simplifies alcove installation.

Material

- Acrylic.

Hydrotherapy

- Whirlpool.

Installation

- Drop-in.

Recommended Products/Accessories

K-7166-AF Bath Drain
K-11677 Bath Drain
K-24916 Wireless Music Kit
K-23726 Drain treatment
K-23732 Tub & shower cleaner



Codes/Standards

ASME A112.19.7/CSA B45.10
CSA B45.5/IAPMO Z124
ASTM E162
ASTM E662
UL 1795




**KOHLER® Plastic Baths and Receptors
Lifetime Limited Warranty
KOHLER® Hydrotherapy Components
Five-Year Limited Warranty**

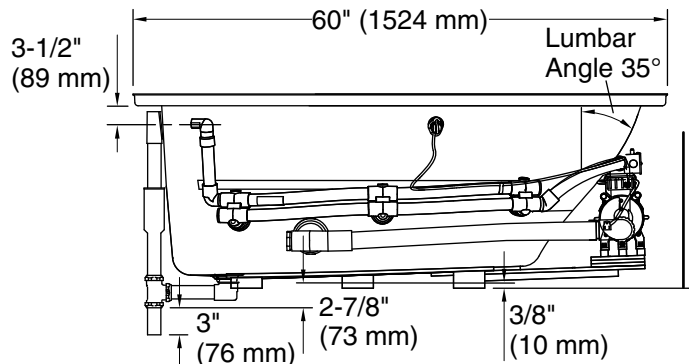
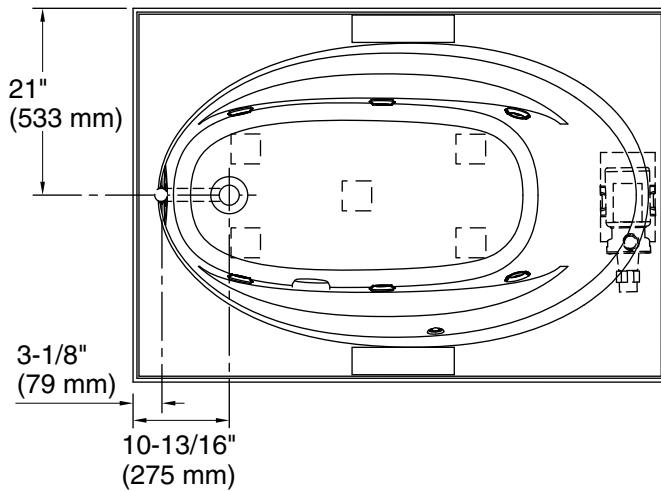
See website for detailed warranty information.

Available Colors/Finishes

Color tiles intended for reference only.

Color Code Description

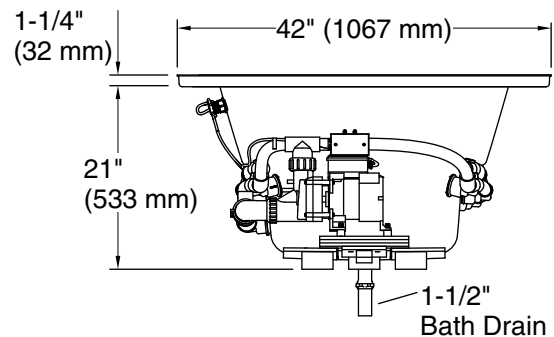
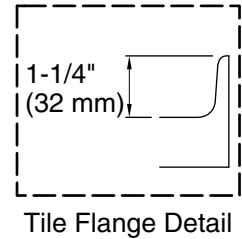
	0	White
	96	Biscuit
	47	Almond



No change in measurements if connected with drain illustrated. (K-11677)

□ Recommended Faucet Location

Pump/Control Access
20" (508 mm) W x
15" (381 mm) H



Required Electrical Service

Two dedicated circuits required, protected with Class A Ground-Fault Circuit-Interrupter (GFCI). Outside North America, this device may be known as a Residual Current Device (RCD).

Pump: 120 V, 15 A, 60 Hz
Heater: 120 V, 15 A, 60 Hz

Technical Information

All product dimensions are nominal.

Installation: Under-mount, Drop-in, Three-wall alcove
Drain location: End
Basin area, bottom: 43" x 20-1/2" (1092 mm x 521 mm)
Basin area, top: 53-1/2" x 32-1/8" (1359 mm x 816 mm)
Weight: 110 lbs (49.9 kg)
Minimum floor load: 35 lbs/ft² (170.9 kg/m²)
Water depth: 15" (381 mm)
Water capacity: 57 gal (215.8 L)
Cutout: Tile-in, 58-1/2" x 40-1/2" (1486 mm x 1029 mm)
Electrical component rating: Pump: 120 V, 7.5 A, 60 Hz
Heater: 120 V, 12.5 A, 60 Hz, 1500 W
Pump speed: Single

Notes

Measure your actual product for rough-in details. Install this product according to the installation instructions.

The hot water supply should be 70% of the capacity of the bath or greater. Installations will vary.

If installing a rim-mount faucet, make sure there is no interference above or below the deck before drilling any holes.