



**Name:** FORA-T

**Design:** Gonzalo Milà / Alex Fernández Camps  
2010

**Typology:** Table lamp

**Environment:** Outdoor

**Technical description:**

Outdoor table lamp releasing light through a frosted medium density, UV protected polyethylene globe, shielded by weaved synthetic polyethylene fiber lamp shade. Lamp shade is available in grey graphite, natural white and brown graphite. Canopy is iron, coated with anti-corrosive, cataphoresis treatment to provide comprehensive protection against all weather conditions in accordance with IP 55 rating. Electrical cord is encased with protective neoprene. Base is weighted to sustain high winds. (IP 55)



**Lamps description**

Earthing: compulsory

2 x 20 W T4 E-26  
self ballasted lamp

**Voltage:** 120V~60Hz

1 Box 21.65 x 21.65 x 29.53 inches

**Vol.:** 0,2269 m<sup>3</sup>

**Weight:** 26.46 lbs

**Certifications:** IP-55

**Ref**

**Finishings**

2230308U grey graphite

2230301U natural white

2230303U brown graphite

Lampshade 19.69" x 11.81"

Synthetic Polyethylene Fiber

P-694U grey graphite

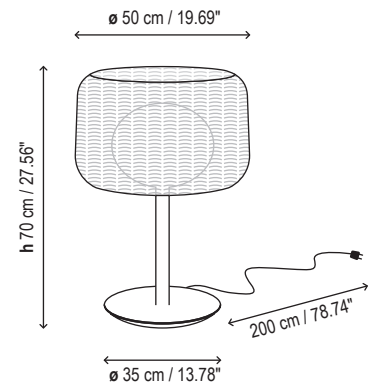
P-695U light beige

P-696U brown

Light source is protected by polyethylene globe of medium density and UV protection.

**Not Customizable**

**Measures**



**Project information**

Project name: \_\_\_\_\_

Approved by: \_\_\_\_\_

Fixture type: \_\_\_\_\_

Date: \_\_\_\_\_

Location: \_\_\_\_\_

Prepared by: \_\_\_\_\_

Comments: \_\_\_\_\_

Prepared for: \_\_\_\_\_

**Photometrics**

