

## R320

## Sensor tap

With its multiple choices of finishes and refined look thanks to its concealed sensor, the R320 deck mounted tap is suitable for all types of washroom facilities.



| Product code | Power   | Finish                  |
|--------------|---------|-------------------------|
| R320-S_SEC   | Mains   | Brushed stainless steel |
| R320-B_SEC   | Mains   | Polished brass          |
| R320-N_SEC   | Mains   | Matte black             |
| R320-S_BAT   | Battery | Brushed stainless steel |
| R320-B_BAT   | Battery | Polished brass          |
| R320-N_BAT   | Battery | Matte black             |

### Technical data

|                                   |   |
|-----------------------------------|---|
| Finishes                          | Brushed stainless steel (S) / Polished brass (B) / Matte black (N)  |
| Dimensions                        | Ø25 x H255mm x L121.5mm   |
| Min/Max water pressure            | 0.5 – 8 bar   |
| Flow rate                         | 1.89L/min   |
| Aerator                           | PCA spray   |
| Preset sensor range               | 100 mm / 39.37" (customizable with optional remote control) - Self Adaptive   |
| Minimum sensor range              | 30 mm / 1.18"   |
| Maximum sensor range              | 120mm / 4.72"   |
| Security time                     | 90 seconds (can be reduced with optional remote control)  |
| Water supply                      | Single inlet for cold or pre-mixed water  |
| Maximum water temperature         | 70°C  |
| Power supply                      | Dual Power Input Box<br>9V Transformer (_SEC) - 5M cable<br>9V battery box (_BAT) - battery not included (1 x 9V battery) |
| Cable length from back-end of tap | 0.35M (connects the tap to the dual power input box)  |
| Hose length                       | 0.45M (connects the tap to the dual power input box)  |
| Warranty                          | 10 years  |

## Optional accessories

---

|             |                                       |
|-------------|---------------------------------------|
| RSP06001001 | 2 way power splitter                  |
| RSP06001002 | 3 way power splitter                  |
| RSP06009016 | 1m extension cable male-female        |
| RSP06009021 | 3m extension cable male-female        |
| RSP07100005 | Remote control                        |
| RSP06530013 | Junction box with transformer 230/12V |
| RSP06000086 | Output cable for junction box         |

## Installation requirements

---

### Countertop cut-out

The R320 is designed to be installed on countertops up to 30mm thick. Drill a 17mm diameter hole, with two 3mm holes on each side for the anti-rotation pins (see technical drawing for exact cut-out plan).

### Water supply

Flush water supply lines thoroughly before installing the sensor tap. Do not allow dirt, Teflon tape or metal particles to enter the sensor tap.

### Washroom layout and planning

To prevent sensor malfunction, avoid installing sensor tap directly opposite other sensor taps/soap dispenser, other infra-red devices or reflective surfaces. The choice of other accessories in the room must also be considered, such as the waste outlet which can affect the sensor with light reflection. Care and consideration should also be given to the positioning of the lighting in the room, particularly in the case of taps with downward facing sensors. To prevent reflection problems, it is recommended to keep a minimum distance of 1.50 meters between the sensor tap and any other objects.

## Care and cleaning

---

Do not use steel wool or cleaning agents containing alcohol, acid, abrasives, or similar products.

The use of the mentioned cleaning or maintenance products or substances will damage the surface of the tap. Only use soap and water to clean the tap, then wipe dry with clean cloth or towel. When cleaning other surfaces in the washroom, the taps should be protected from any of the products used.

## Certifications

---

ACS  
CE  
WRAS  
UPC  
WaterMark

## Related products

---

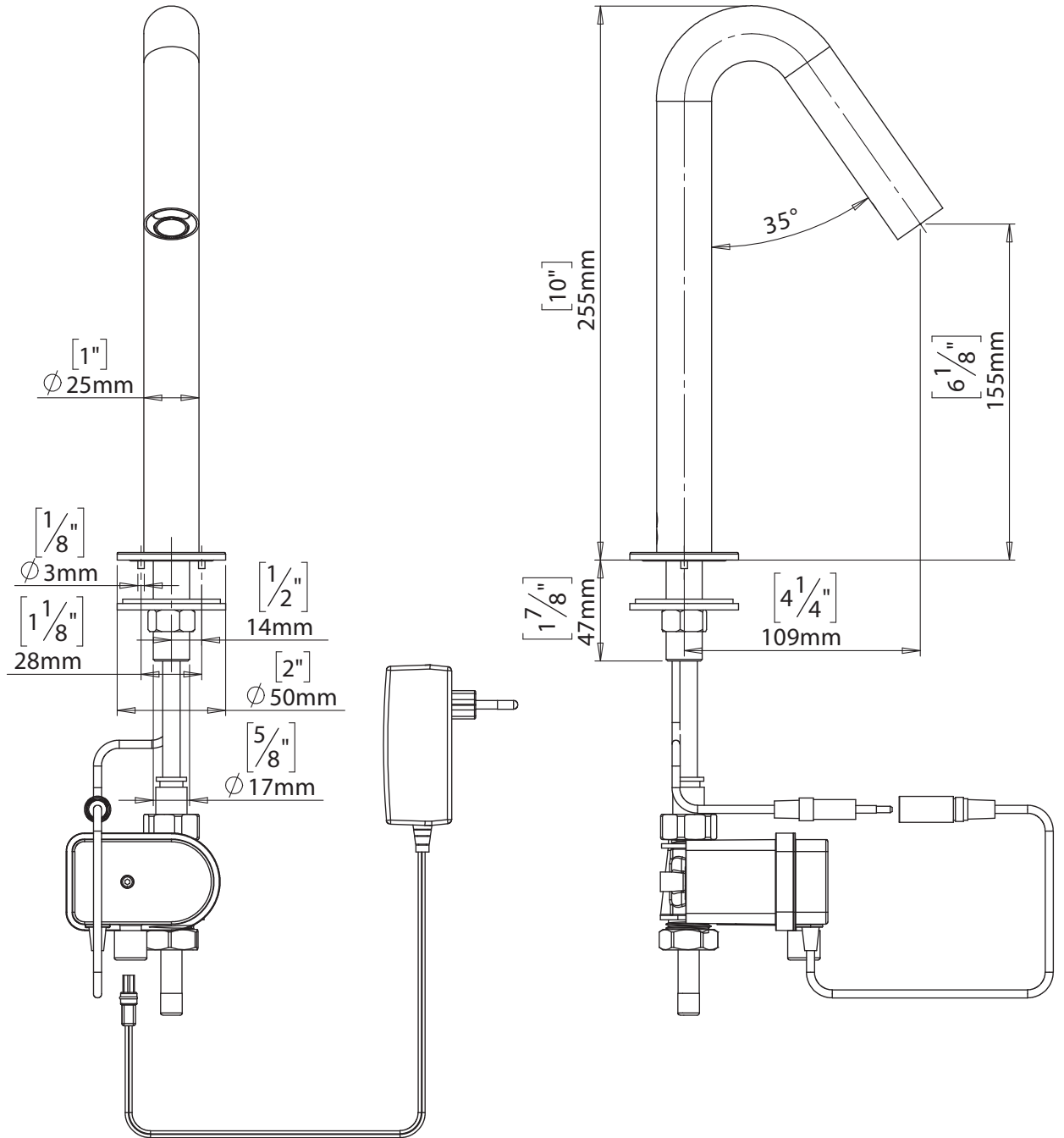
|                |      |
|----------------|------|
| Soap dispenser | S220 |
|----------------|------|

## Related documents

---

|                                     |                  |
|-------------------------------------|------------------|
| Installation and maintenance manual | contact@duten.fr |
| Certifications                      | contact@duten.fr |

Technical drawing - mains version



Technical drawing - battery version

