

## Sink Diamant 3312 062

Sinks

Code: 3312 062



### DETAILS

Material	AISI 304 stainless steel
Texture	Foster brushed
Base	60 cm
Edge/Installation Type	Flat Edge
Dimensions	988x508 mm
Standard fittings	Fixing hooks, gasket, drain, overflow and siphon, boxed packing
Mixer holes	2 standard holes
Built-in hole	View technical data sheet (for all Flush-mount / Top-mount models and Under-mount models)
Drainer	Yes

Width 99 cm

---

Bowl dimension 340x400 + 150x300 mm

---

Number of bowls 2 bowls

---

Waste fitting Drain with automatic PR control

---

## FEATURES

**Added value** Foster uses steel thicknesses higher than those used on average by other manufacturers. This is how, thanks to our long experience, we know how to make sinks of superior quality and with a better resistance to aging.

---

**Automatic waste fitting** The waste-fitting with round remote knob is supplied; a practical accessory which makes it unnecessary to get wet in order to drain the water from the bowl.

---

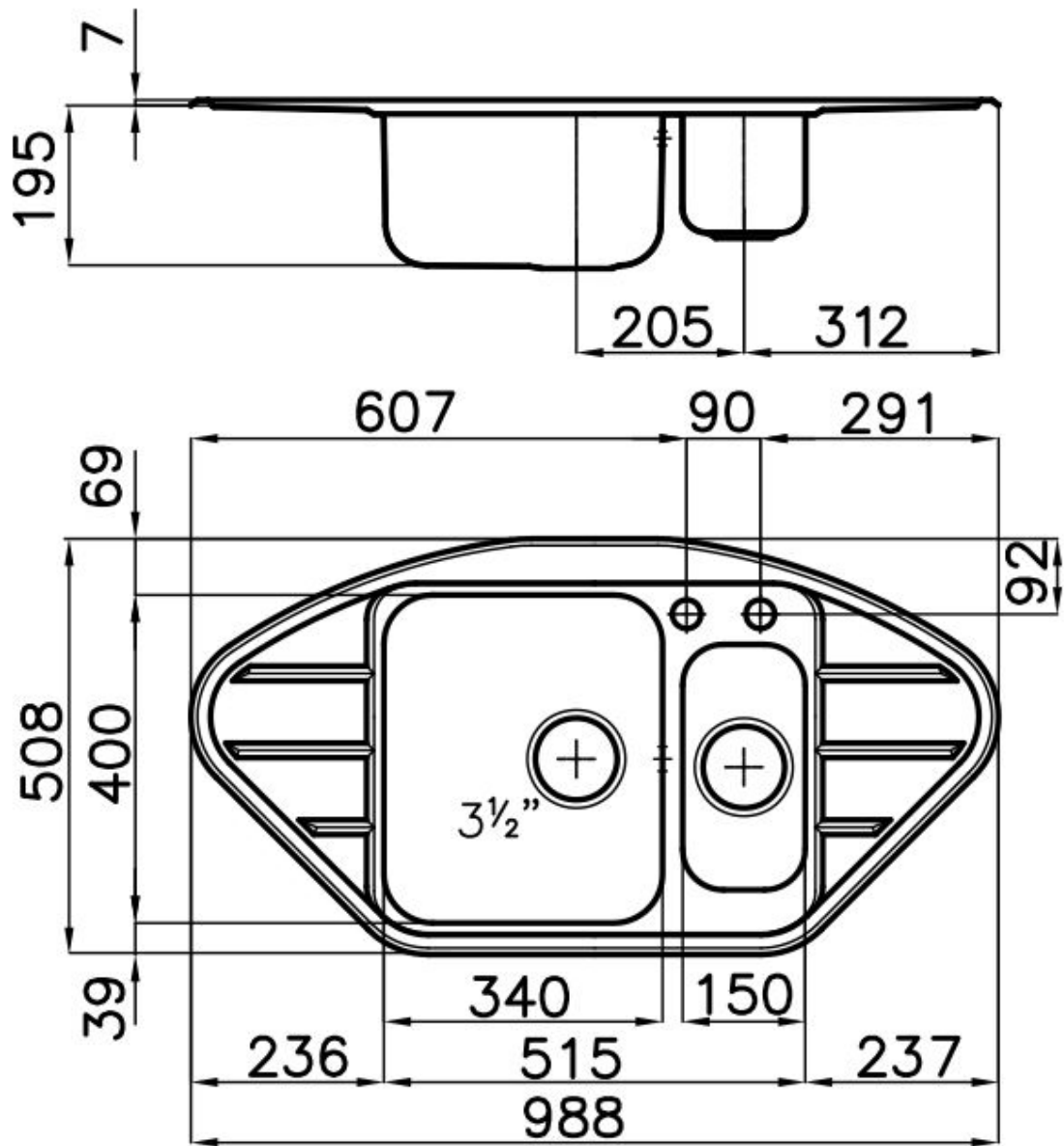
**Basket 3,5" waste fitting** The drain is equipped with a large 3.5" drain, with the practical basket cap that prevents the discharge of solid parts. The 3.5 "drain allows the use of the Foster waste-disposer, compatible with all models.

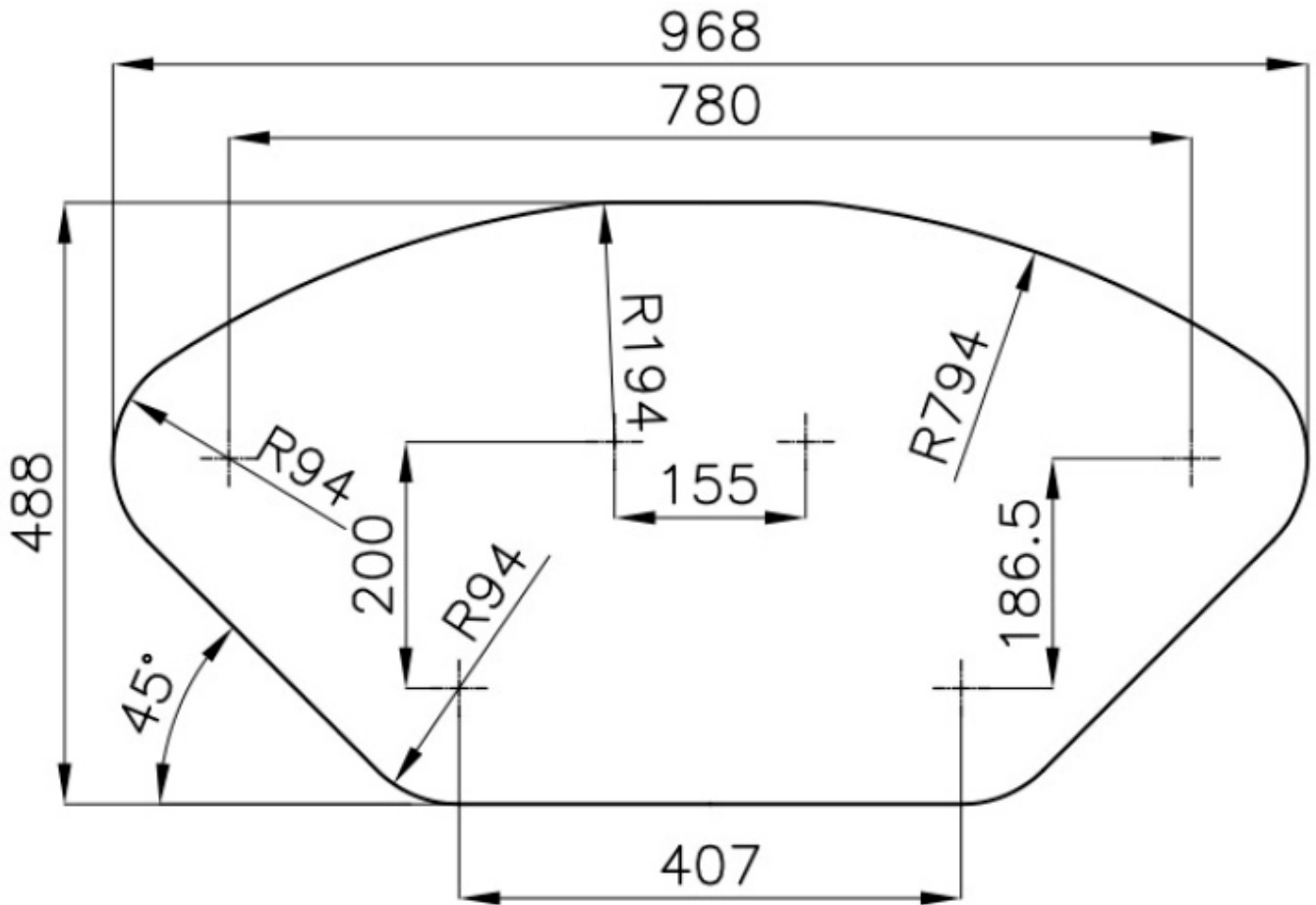
---

**Double mixer hole** The large tap counter is already fitted with a series of 2 tap holes. In the second hole it is possible to install the remote control of the automatic drain or, alternatively, a practical soap dispenser.

---

## TECHNICAL DATA





## GALLERY



## OPTIONAL ACCESSORIES



Glass chopping board 8631 300



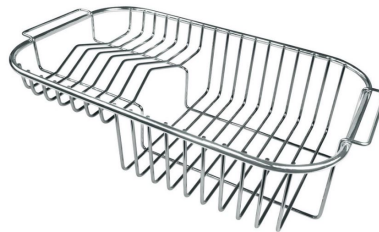
HPDE Chopping board 8657 001



Iroko-wood chopping board 8647 000



Stainless steel basket 8611 000



Stainless steel plate rack 8100 301



White bowl 8153 100



White colander 8151 100