

Collection

TWITTER

Article

TW206

Description

Wall mounted washbasin mixer

Built-in body to be purchased separately INC206XXXN_19

Box Dimensions

425 x 188 x 98 mm

Weight

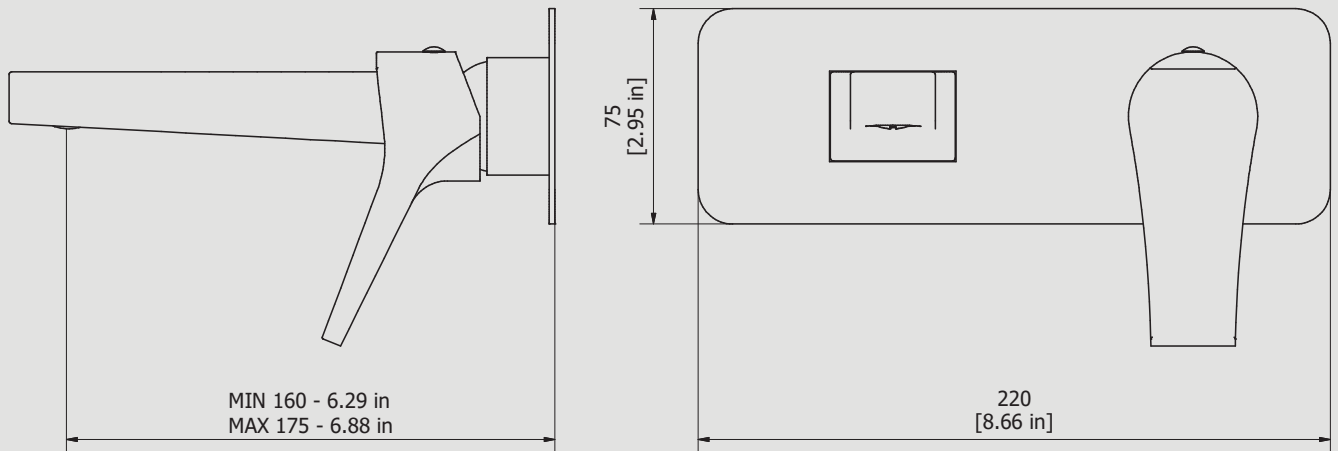
3.7 kg



Finishes

- **CC**
CHROME
- **CF**
BLACK CHROME
- **OO**
GOLD
- **BB**
ANTIQUE BRONZE
- **SS**
BRUSHED NICKEL
- **CS**
BRUSHED BLACK CHROME
- **BO**
MATT WHITE
- **NP**
MATT BLACK
- **IS**
BRUSHED PALE GOLD
- **OS**
BRUSHED GOLD
- **II**
PALE GOLD
- **RR**
ANTIQUE COPPER
- **RS**
ROSE GOLD
- **ON**
NATURAL BRASS
- **SR**
BRUSHED ROSE GOLD
- **PL**
PLATINUM

Dimensions



Cartridge

Ø35 ceramic cartridge

Threaded fitting

Treaded fitting G1/2" female

Aerator

M18.5x1

Flow Rate (+/-10%)

1 BAR	2 BAR	3 BAR
6.6 l/min	9.3 l/min	11.3 l/min

Production

Main body is a single casted pieces

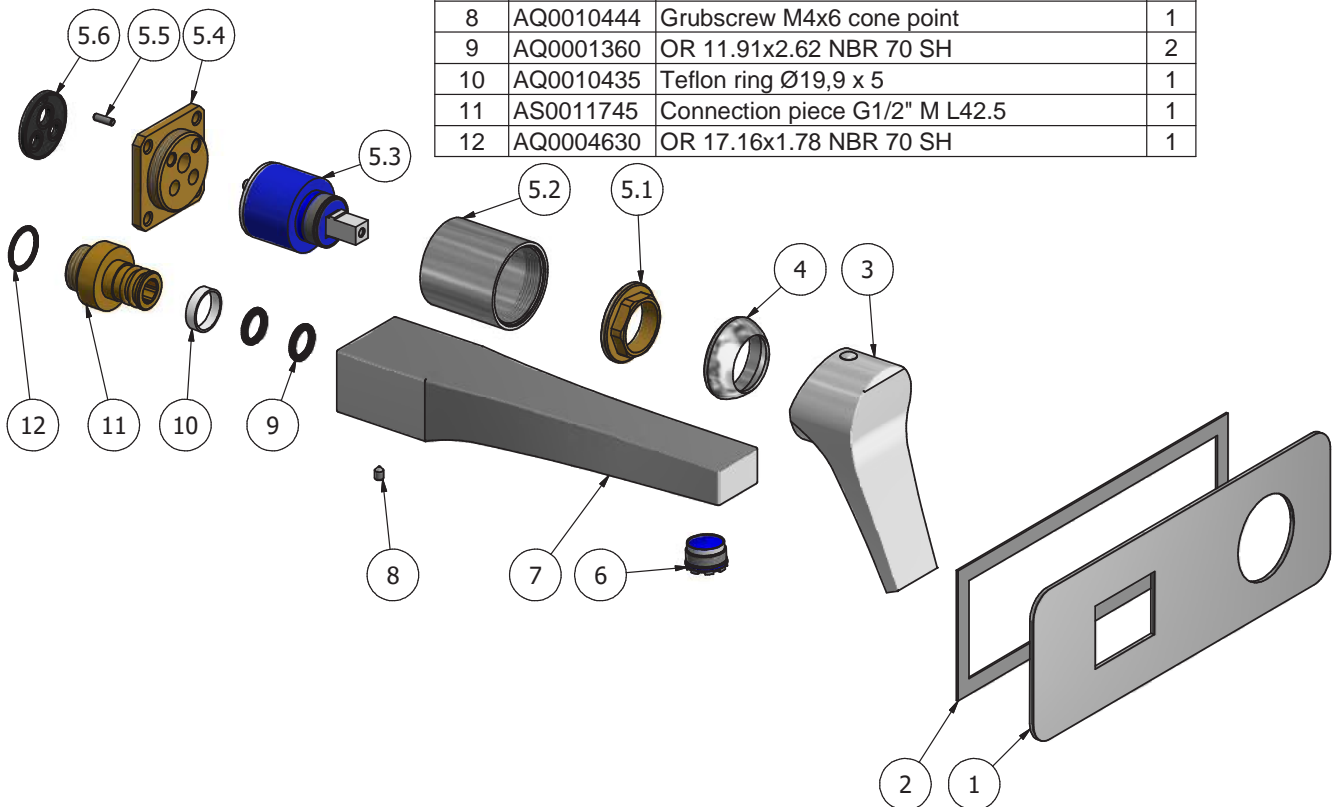
Material

BRASS
According to CuZn35Pb2Al-B (CB752S)
Max Lead content: 1.36%



IB RUBINETTI

Parts list			
ELEM	CODE	DESCRIPTION	QT
1	AC0013129	Plate 220x75x2	1
2	AQ0014142	Rubber packing double-sided tape 200x65x8x1	1
3	AQ0013641	Handle Ø45 H36 L102.5 with inox plug and plug	1
4	AQ0012068	Chromed cover nut Ø38,2 M37x1,5	1
5	CPIN206CC-19	Mixer 47x47 x recessed	1
5.1	AQ0001040	Cartridge ring nut M37x1.5 H9	1
5.2	AC0010445	Ring for recessed shower mixer	1
5.3	AQ0004095	Ceramic cartridge Ø35 9x9 (K35A)	1
5.4	AS0013040	Insert 47x47 H11 M37x1.5	1
5.5	AQ0015357	Grubscrew M3x10 flat point	1
5.6	AQ0015684	Gasket Ø31 H3.5 Ø7 Ø7.5	1
6	AQ0013746	Cachè perlator M18,5 x 1 coin slot (43.3230.450)	1
7	CC0002510	Spout 43.5x31 L210	1
8	AQ0010444	Grubscrew M4x6 cone point	1
9	AQ0001360	OR 11.91x2.62 NBR 70 SH	2
10	AQ0010435	Teflon ring Ø19,9 x 5	1
11	AS0011745	Connection piece G1/2" M L42.5	1
12	AQ0004630	OR 17.16x1.78 NBR 70 SH	1



WARRANTY

All IB Rubinetterie SpA products are warranted for 10 years from the date of purchase, for the following cases:

- Defects of casting, porosity and chrome plating.
- Operating defects caused by incorrect fabrication.

The warranty provides for repair or replacement of products with fabrication defects recognized by our technical office. There is no other type of compensation anche the merchandise must be returned FOB our warehouse. The warranty only cover surface defects (scatches, dings, etc.) on fitting that have not been installed and used, returned in its original packaging with all components. O-ring, gasket seals and components subject to wear proportional to use are warranted for 2 years.

The warranty is void in the following cases:

Error installing and putting the product into service.

Deterioration of finisched surfaces due to use of cleaning products containing acids or abrasive substances. Deterioration of surface with finishes other than chrome plating. Their durability is, in fact, dependent on the user's care and gentleness of use.

Deterioration of the fitting due incorrect installation.

Improper repairs and maintenance performed without the company's prior authorization.

The warranty from IB Rubinetterie SpA is not renewable.

Cleaning

We recommended cleaning the finish surfaces with water and soap, using a soft cloth.

Do not use detergents that cointain hydrochloric acid or abrasive substances.

