

Sink KE - R15 2152 850

Sinks

Code: 2152 850



DETAILS

Finish Foster brushed

Material AISI 304 stainless steel

Texture Foster brushed

Base 40 cm

Edge/Installation Type Undermount

Dimensions 310x440 mm

Standard fittings Fixing hooks, gasket, drain, overflow and siphon, boxed packing

Mixer holes No standard holes

Built-in hole View technical data sheet (for all Flush-mount / Top-mount models and Under-mount models)

Drainer No

Width 31 cm

Bowl dimension 270x400mm

Number of bowls 1 bowl

Waste fitting 3,5" drain

FEATURES

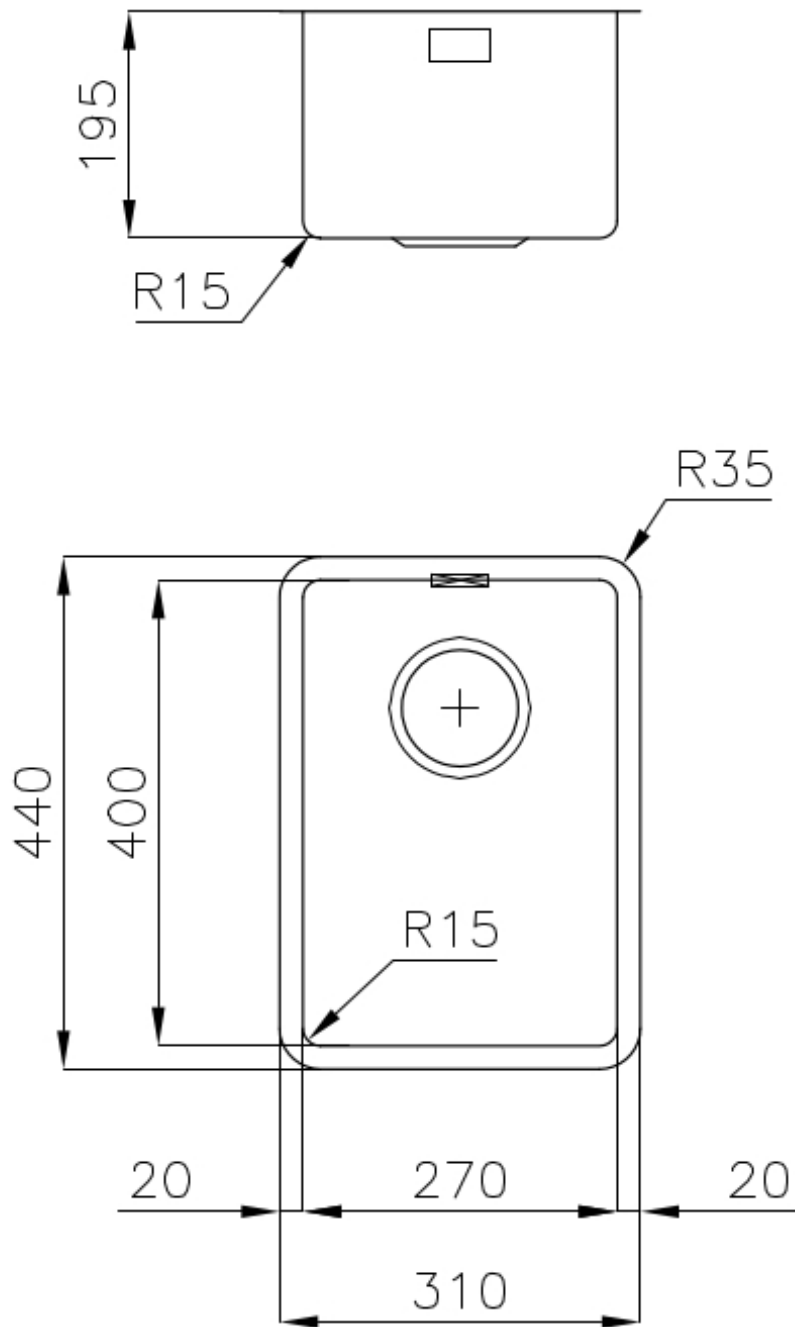
Basket 3,5" waste fitting The drain is equipped with a large 3.5" drain, with the practical basket cap that prevents the discharge of solid parts. The 3.5 "drain allows the use of the Foster waste-disposer, compatible with all models.

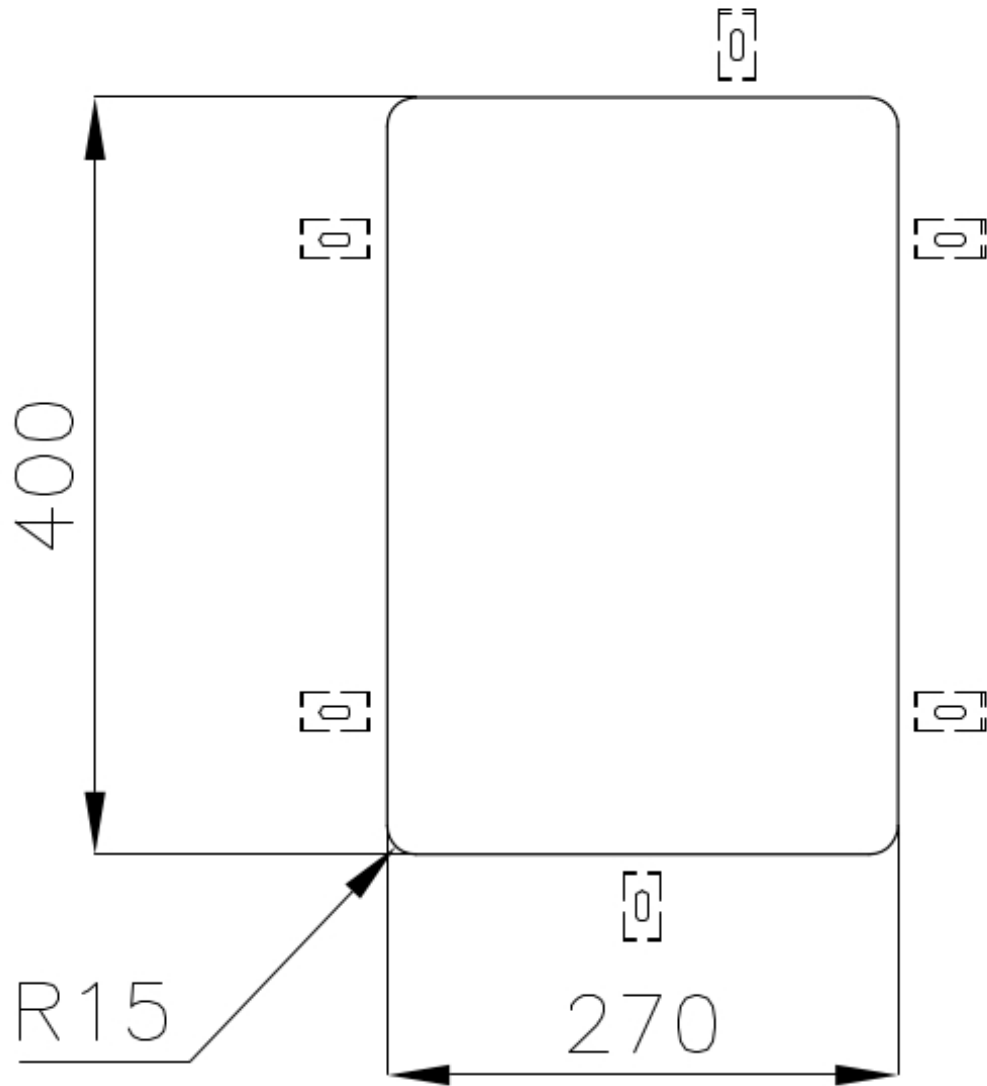
High thickness 1mm thick steel. A significant thickness, which guarantees the maximum sturdiness and durability.

Perimetral overflow The overflow is always a security on the Foster sinks that prevents the overflow of water in case of oversights. The perimeter drain solution improves aesthetics thanks to its square and essential shape.

Small radius Bowls with squared shapes with a modern design and an increased capacity, for a minimal aesthetics connected with an extreme practicality.

TECHNICAL DATA





Cut out size
Dimensioni per foratura top

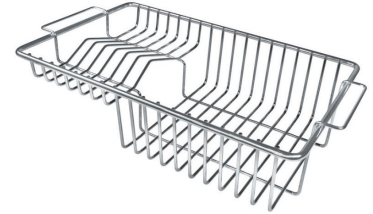
OPTIONAL ACCESSORIES



Glass chopping board 8631 300



HPDE Chopping board 8657 001



Stainless steel plate rack 8100 201

RECOMMENDED PAIRINGS



Mixer Tap Camillo 8467 000



Mixer Tap Lorenzo 8466 000

OPTIONAL AUTOMATIC WASTE FITTINGS



Automatic waste fitting 8407 113



Space automatic waste fitting
8407 108



Space automatic waste fitting
8407 109



Space Light automatic waste
fitting 8407 117



Space Milano automatic waste
fitting 8407 115



Space Push automatic waste
fitting 8407 116