

Sink Uragano 1555 609

Sinks

Code: 1555 609



DETAILS

Finish Foster brushed

Material AISI 304 stainless steel

Texture Foster brushed

Base 100 cm

Edge/Installation Type Standard (8 mm Edge)

Dimensions 970x500 mm

Standard fittings Fixing hooks, gasket, drain, overflow and siphon, boxed packing

Mixer holes 1 standard hole - 2nd hole on request

Built-in hole 950x480 mm

Drainer No

Width 97 cm

Bowl dimension 910x440mm

Number of bowls 1 bowl

Waste fitting 3,5" drain

EQUIPMENT

1 x Iroko-wood chopping board
8659 112

1 x Stainless steel bowl-holder
ring 8100 112

1 x White bowl 8152 100

1 x White colander 8151 100

FEATURES

Basket 3,5" waste fitting

The drain is equipped with a large 3.5" drain, with the practical basket cap that prevents the discharge of solid parts. The 3.5 "drain allows the use of the Foster waste-disposer, compatible with all models.

Deep bowls

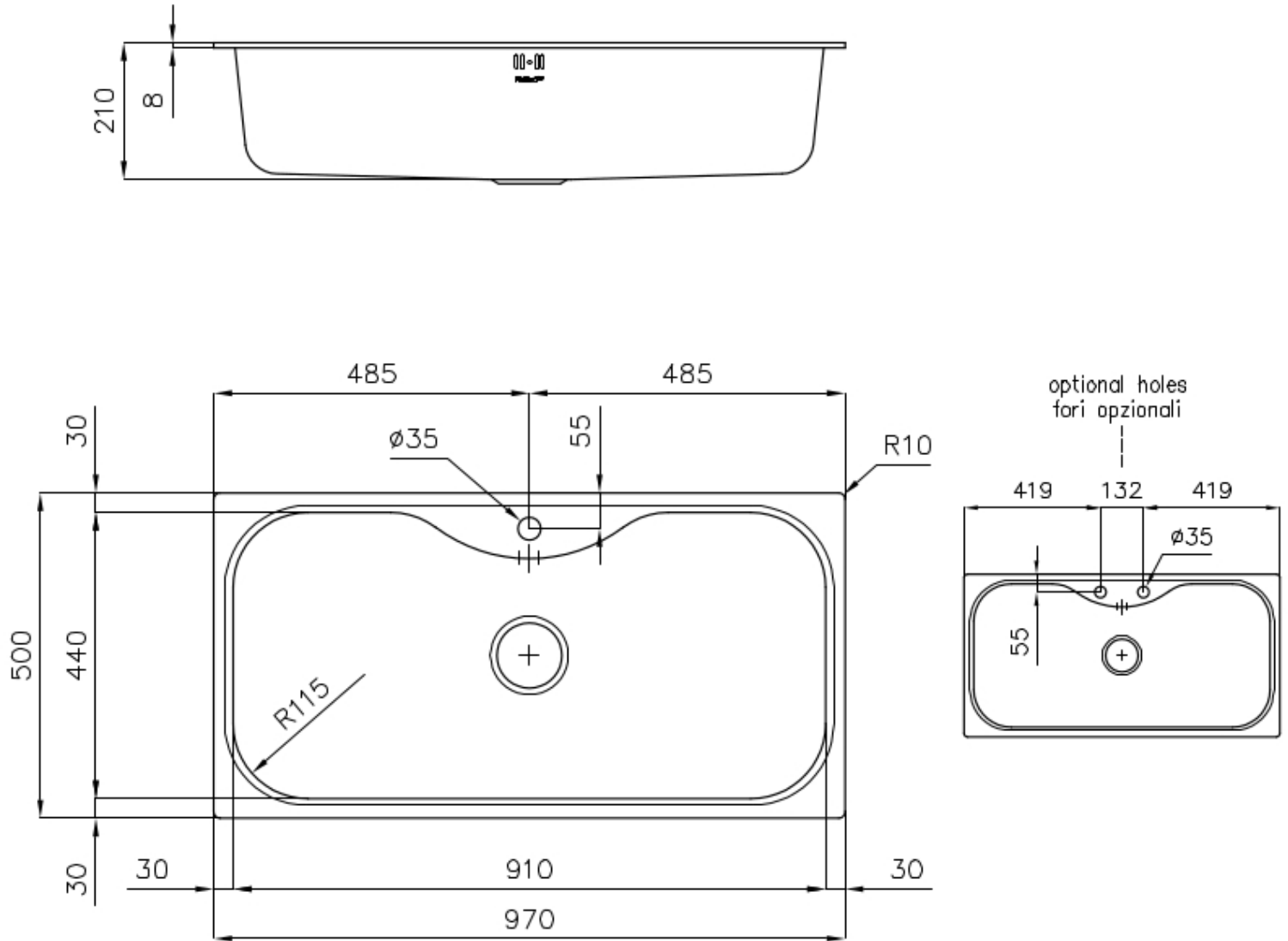
This bowls reach an important depth, over 20 cm, thanks to the advanced production technology, that can be offer great capieny and practicity in all the washing operations.

High thickness

1mm thick steel. A significant thickness, which guarantees the maximum sturdiness and durability.

Sliding brackets

TECHNICAL DATA



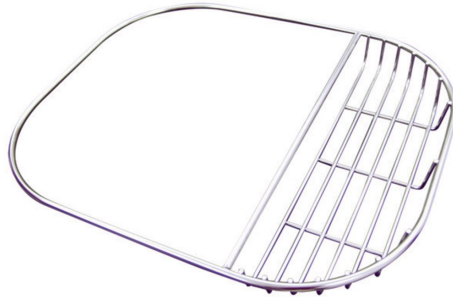
GALLERY



EQUIPMENT



Iroko-wood chopping board 8659 112



Stainless steel bowl-holder ring 8100 112



Vaschetta bianca 8152 100



White colander 8151 100

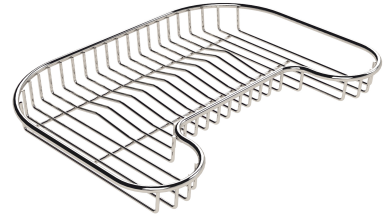
OPTIONAL ACCESSORIES



Iroko-wood twin chopping board
8644 003



Stainless steel colander 8154 000



Stainless steel plate rack 8100 111



Stainless steel plate rack 8100 154

WARNING:

The accessories **8100154, 8154000** are only usable in combination with **8644003**

The accessory **8152100** is only usable in combination with **8100112**

RECOMMENDED PAIRINGS



Mixer Tap KS Plus 8522 000



Mixer Tap Magnum 8484 000