

Rigoletto Colonial

Rigoletto Colonial thermostatic
21520-CR

TECHNICAL INFORMATION

Thermostatic horizontal external Colonial mixer with 1 lower outlet. CHROME

Flow rate:

p (bar)	0,5	1	2	3	21500-CR 21505-CR 21520-CR
Q (l-min)	9,5	13	18	20	

PICTURE



SPARE PARTS



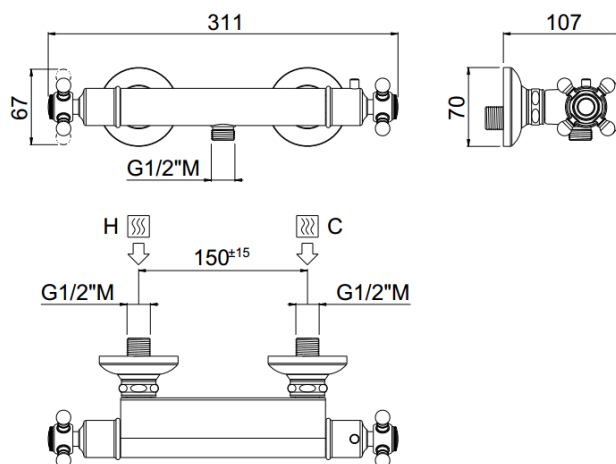
ORIC021
vitone
screw down



ORIC031
T°

FEATURES

TECHNICAL DRAWING



FINISHINGS

