

Collection

AQUA

Article

EUA721HJ

Description

Plate and handles trimkit

Box Dimensions

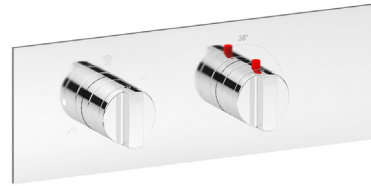
420x180x90 mm

Weight

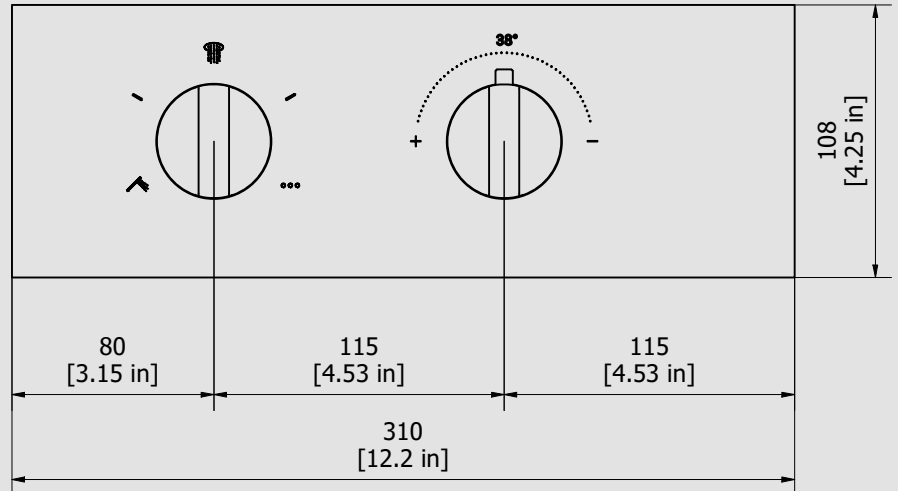
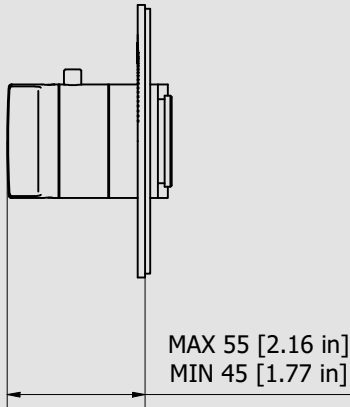
3.5 kg

Finishes

- **CC**
CHROME
- **PL**
PLATINUM
- **SS**
BRUSHED
NICKEL
- **ON**
NATURAL
BRASS
- **BO**
MATT
WHITE
- **NP**
MATT
BLACK
- **CF**
BLACK
CHROME
- **CS**
BRUSHED
BLACK
CHROME
- **II**
PALE
GOLD
- **IS**
BRUSHED
PALE GOLD
- **RS**
ROSE
GOLD
- **SR**
BRUSHED
ROSE GOLD
- **OO**
GOLD
- **OS**
BRUSHED
GOLD
- **RR**
ANTIQUÉ
COPPER
- **BB**
ANTIQUÉ
BRONZE



Dimensions



Cartridge

-

Threaded fitting

-

Aerator

-

Flow Rate (+/-10%)

1 BAR
l/m

2 BAR
l/m

3 BAR
l/m

Production

Main body is a machined from a solid pieces

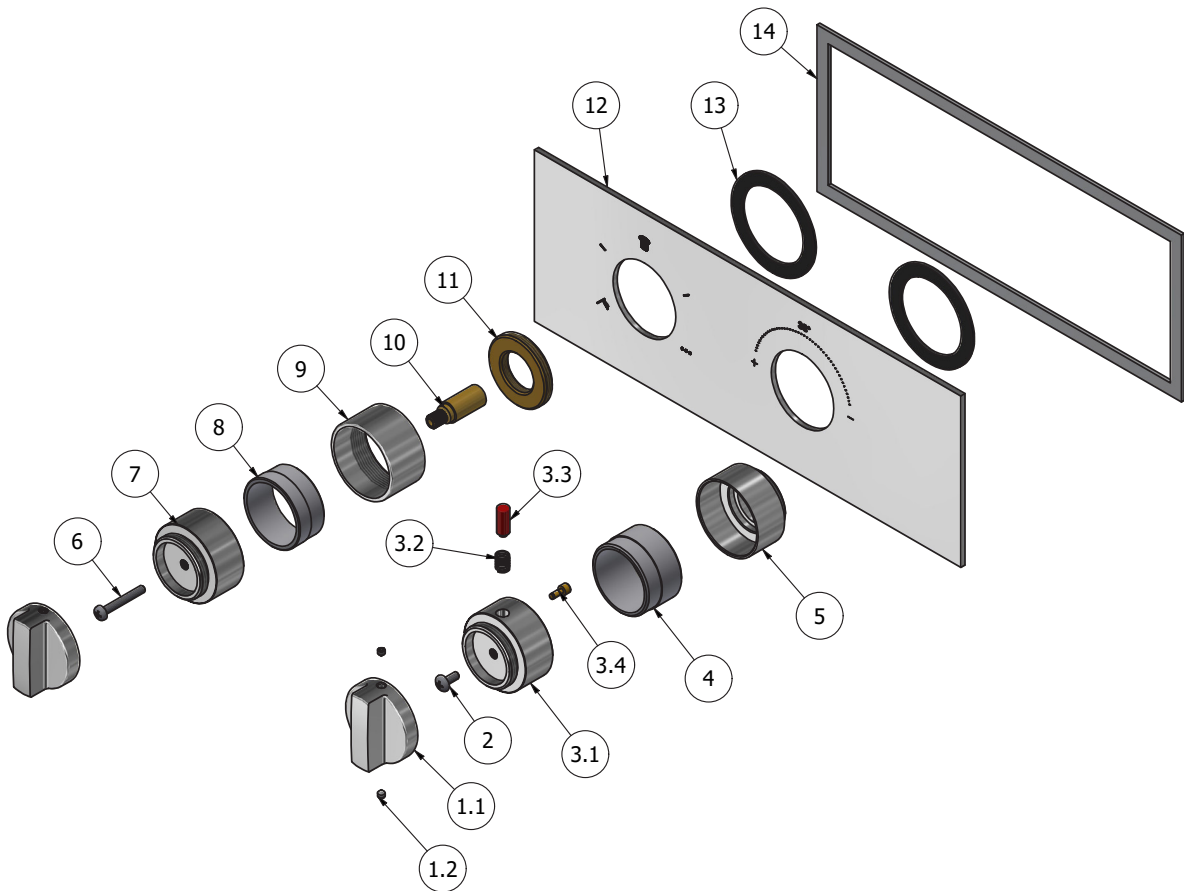
Material

BRASS
According to CuZn39Pb3 (CW614N)
Max Lead content: 2.5%



WE ARE IB

| Parts list | | | |
|------------|--------------|--|-----|
| ELEM. | CODE | DESCRIPTION | QTÀ |
| 1 | CP10826CC-1 | Preassembled handle Ø45 | 2 |
| 1.1 | AC0010826 | Handle Ø45 | 1 |
| 1.2 | AQ0001082 | Grub screw M4x4 cone point | 2 |
| 2 | AQ0002160 | Screw M4x10 | 1 |
| 3 | CP0007043 | Thermoregulation handle body | 1 |
| 3.1 | AC0007043 | Handle thermoregulation | 1 |
| 3.2 | AQ0008086 | Spring for thermo plug Ø6 F0.5 L8.5 | 1 |
| 3.3 | AQ0008085 | Red plug for thermo handle | 1 |
| 3.4 | AS0007045 | Pin for thermo lever button Ø6 H11.6 | 1 |
| 4 | AS0013025 | Centering bush Ø40.95 Ø41.95 H25 | 1 |
| 5 | AC0011535 | Support Ø45 H25.5 M36x1.5 | 1 |
| 6 | AQ0009809 | Inox screw M4x30 | 1 |
| 7 | AC0007042 | Capacity handle body | 1 |
| 8 | AS0013024 | Centering bush Ø40.95 Ø40.35 H18.5 | 1 |
| 9 | AC0013023 | Ring Ø45 H23.6 M42x1.5 | 1 |
| 10 | AS0009598 | Extension 8x20 H34.8 | 1 |
| 11 | AS0013022 | Reduction M24x1 M42x1.5 H6 | 1 |
| 12 | ACGC13121_O3 | Plate 310x108x3 int 115 stamped 3 ways | 1 |
| 13 | AQ0013943 | Rubber packing Ø60xØ45 H2 | 2 |
| 14 | AQ0014224 | Rubber packing double-sided tape 265x105x2 | 1 |





WARRANTY

All IB Rubinetterie SpA products are warranted for 10 years from the date of purchase, for the following cases:

- Defects of casting, porosity and chrome plating.
- Operating defects caused by incorrect fabrication.

The warranty provides for repair or replacement of products with fabrication defects recognized by our technical office. There is no other type of compensation anche the merchandise must be returned FOB our warehouse. The warranty only cover surface defects (scatches, dings, etc.) on fitting that have not been installed and used, returned in its original packaging with all components. O-ring, gasket seals and components subject to wear proportional to use are warranted for 2 years.

The warranty is void in the following cases:

Error installing and putting the product into service.

Deterioration of finished surfaces due to use of cleaning products containing acids or abrasive substances. Deterioration of surface with finishes other than chrome plating. Their durability is, in fact, dependent on the user's care and gentleness of use.

Deterioration of the fitting due incorrect installation.

Improper repairs and maintenance performed without the company's prior authorization.

The warranty from IB Rubinetterie SpA is not renewable.

Cleaning

We recommended cleaning the finish surfaces with water and soap, using a soft cloth.

Do not use detergents that contain hydrochloric acid or abrasive substances.

