

Rigoletto Colonial

Rigoletto Colonial mechanic mixer
21530-CR

TECHNICAL INFORMATION

Mechanic horizontal external Colonial mixer with 1 lower outlet.
CHROME

Flow rate:

p (bar)	0,5	1	2	3	21510-CR
Q (l-min)	7	10	14	16	21515-CR
					21530-CR

PICTURE



SPARE PARTS



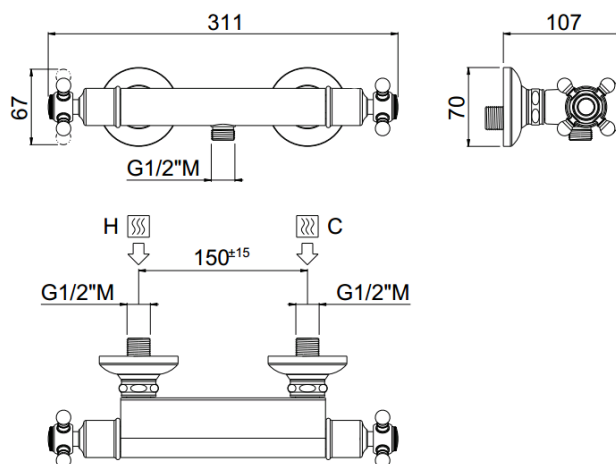
ORIC021
vitone
screw down



ORIC035
T°

FEATURES

TECHNICAL DRAWING



FINISHINGS

