

Features

- Heritage design creates a striking focal point for your bathroom.
- Safeguard® slip-resistant surface on bath floor.
- Center drain.
- Integral lumbar support.

Material

- KOHLER® enameled cast iron.
- Cast iron with Safeguard® finish.
- Painted exterior surface smoothness can vary from product to product.

Installation

- Drop-in or freestanding (with required base).
- Installation with K-709 ceramic base requires caulking in vertical base seams.

Required Products/Accessories

K-705 Freestanding Bath Base

or

K-709 Freestanding Bath Base

Recommended Products/Accessories

K-1172 Adjustable feet

K-7159 1-1/2" pop-up bath drain for freestanding baths

K-707 Hardwood Towel Rails

K-708 Brackets and End Caps

K-1491 Bath/Whirlpool Pillow

K-1601 Bath/Whirlpool Footstop

K-7265 Brass toe tap bath drain

K-16210-4A bath faucet with spout, handles, and handshower

K-331-4M bath faucet with handshower

K-6905-4 Bath Faucet

K-23726 Drain treatment

K-23725 Cast iron cleaner



Codes/Standards

ASME A112.19.1/CSA B45.2

ASTM F462

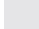




KOHLER® Enameled Cast Iron Bath and Shower Base Lifetime Limited Warranty

See website for detailed warranty information.

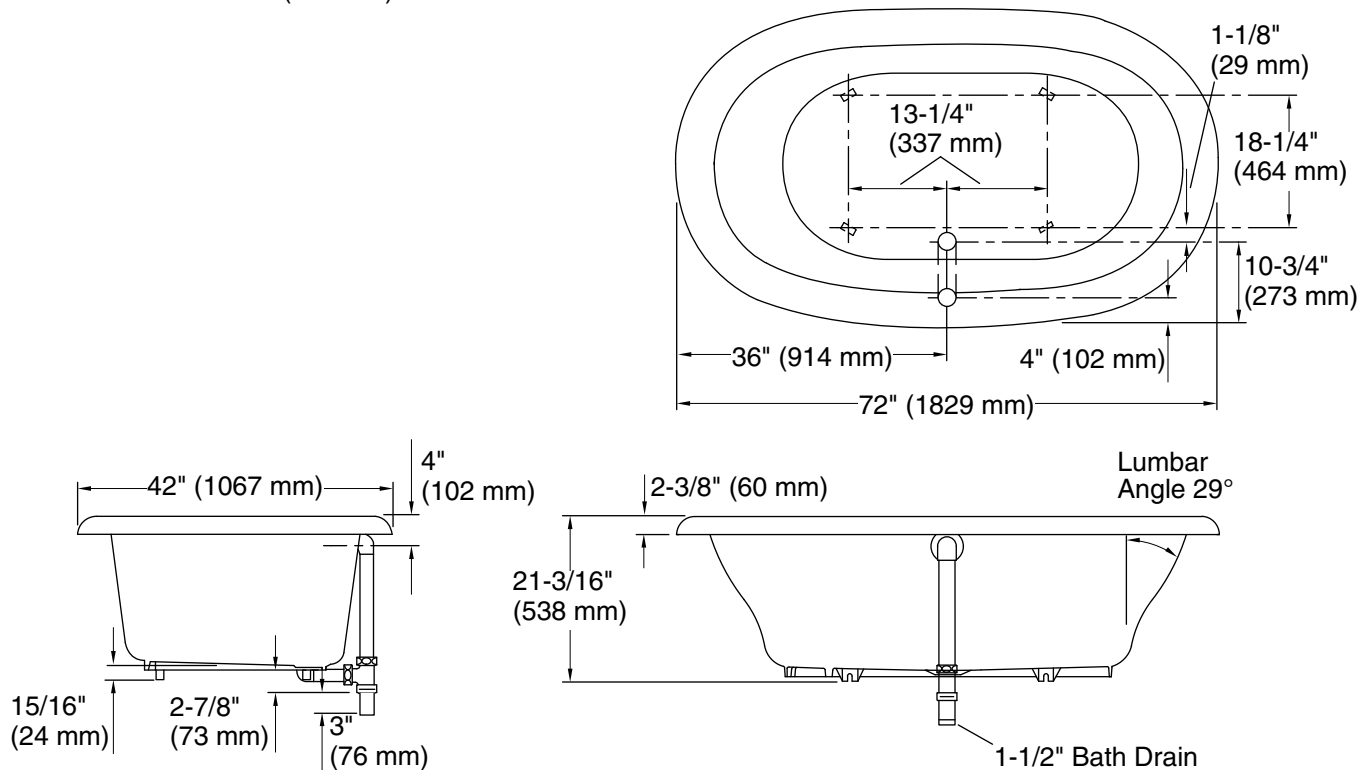
Available Colors/Finishes

Color tiles intended for reference only.

| Color | Code | Description |
|-------|------|-------------|
|-------|------|-------------|

| | | |
|--|----|---------|
|  | 0 | White |
|  | 96 | Biscuit |
|  | 47 | Almond |
|  | NY | Dune |
|  | G9 | Sandbar |

No change in measurements if connected with drain illustrated. (K-7159)



Technical Information

All product dimensions are nominal.

| | |
|---------------------|---|
| Installation: | Drop-in, Freestanding |
| Drain location: | Center |
| Basin area, bottom: | 44" x 24" (1118 mm x 610 mm) |
| Basin area, top: | 60" x 32" (1524 mm x 813 mm) |
| Weight: | 485 lbs (220 kg) |
| Minimum floor load: | 57 lbs/ft ² (278.3 kg/m ²) |
| Water depth: | 15" (381 mm) |
| Water capacity: | 82 gal (310.4 L) |
| Template: | Drop-in, 106594-7, required, included |

Notes

Measure your actual product for rough-in details. Install this product according to the installation instructions. The hot water supply should be 70% of the capacity of the bath or greater. Installations will vary.