



88862

TWO HANDLE WIDESPREAD BATHROOM FAUCET

LLAVE DE LAVAMANOS EXTENDIDAS DE DOS MANIJAS

ROBINET À ENTRAXE LONG À DEUX POIGNÉES POUR LAVABO

see what Delta can doSM

Model/Modelo/Modèle

35768LF ▲

Series/Series/Seria

Write purchased model number here.

Escriba aquí el número del modelo comprado.

Inscrivez le numéro de modèle ici.

▲ Specify Finish/Especifique el Acabado/Précisez le Fini

Register Online

Regístrese en línea

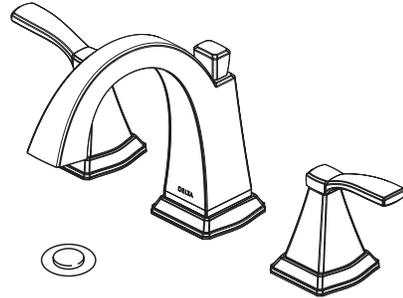
S'enregistrer en ligne

www.deltafaucet.com/registerme

To reference replacement parts and access additional technical documents and product info, visit www.deltafaucet.com

Para referencia sobre las piezas de repuesto y acceder a documentos técnicos adicionales e información del producto, visite www.deltafaucet.com

Pour obtenir la référence des pièces de rechange ainsi que pour avoir accès à d'autres documents techniques et renseignements sur le produit, allez à www.deltafaucet.com



1-800-345-DELTA (3358)

customerservice@deltafaucet.com

Read all instructions prior to installation.

CAUTION

Failure to read these instructions prior to installation may result in personal injury, property damage, or product failure. Manufacturer assumes no responsibility for product failure due to improper installation.

Lea todas las instrucciones antes de hacer la instalación.

ADVERTENCIA

El no leer estas instrucciones de instalación puede resultar en lesiones personales, daños a la propiedad, o falla en el funcionamiento del producto. El fabricante no asume ninguna responsabilidad por la falla del producto debido a una instalación incorrecta.

Veillez lire toutes les instructions avant l'installation.

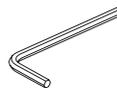
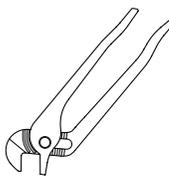
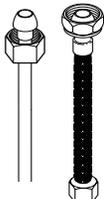
AVERTISSEMENT

L'omission de lire les présentes instructions avant l'installation peut entraîner des blessures, des dommages matériels ou le bris du produit. Le fabricant se dégage de toute responsabilité à l'égard d'un bris du produit causé par une mauvaise installation.

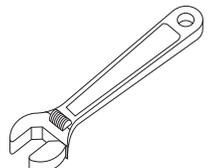
You may need:

Usted puede necesitar:

Articles dont vous pouvez avoir besoin :



3/32" (2.38mm)



Cleaning and Care

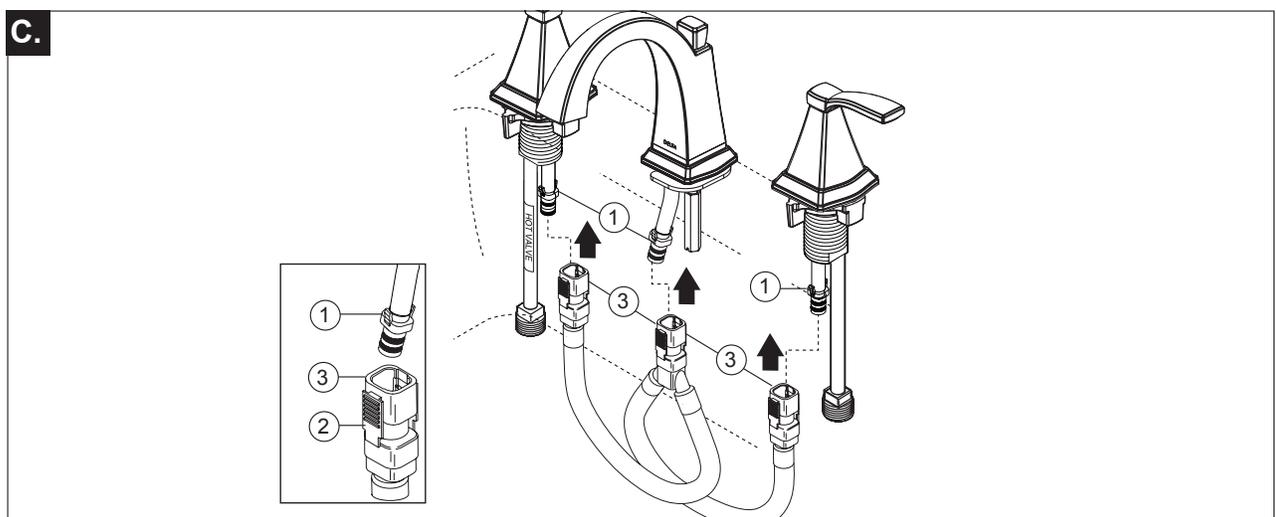
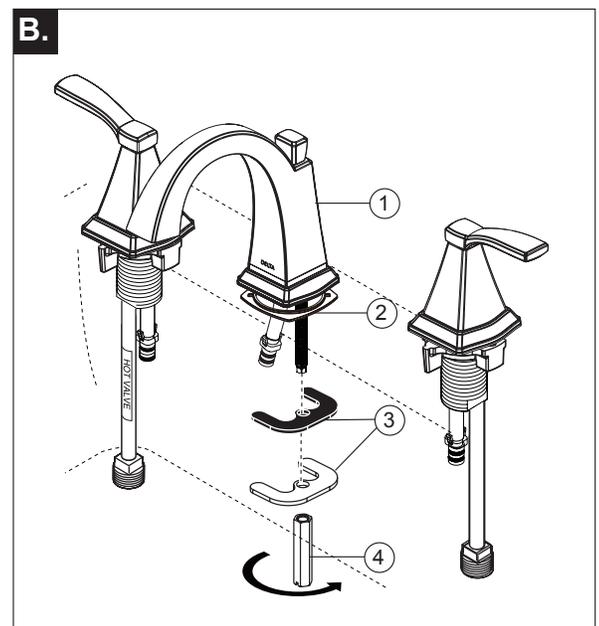
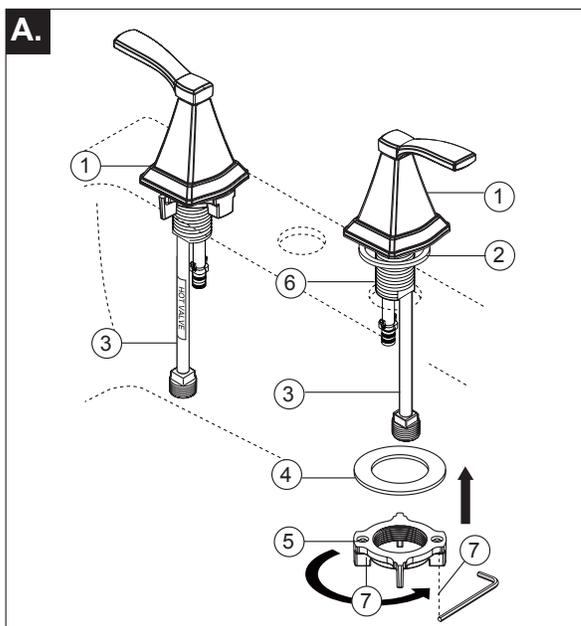
Care should be given to the cleaning of this product. Although its finish is extremely durable, it can be damaged by harsh abrasives or polish. To clean, simply wipe gently with a damp cloth and blot dry with a soft towel.

Limpieza y Cuidado de su Llave

Tenga cuidado al limpiar este producto. Aunque su acabado es sumamente durable, puede ser afectado por agentes de limpieza o para pulir abrasivos. Para limpiar su llave, simplemente frótela con un trapo húmedo y luego séquela con una toalla suave.

Instructions de nettoyage

Il faut le nettoyer avec soin. Même si son fini est extrêmement durable, il peut être abîmé par des produits fortement abrasifs ou des produits de polissage. Il faut simplement le frotter doucement avec un chiffon humide et le sécher à l'aide d'un chiffon doux.



A. SHUT OFF WATER SUPPLIES. Remove old faucet. Slide hot and cold end valves (1) with gaskets (2) through sink mounting holes. **Note: If sink is uneven, use silicone under the gaskets.** Make sure long tubes (3) are installed away from spout and handle with label for HOT WATER SIDE is installed on the left side. Secure end valves with washers (4) & threaded brackets (5). Hand tighten brackets (5) onto shank (6). Lock brackets into position by tightening screws (7).

B. Place spout (1) with gasket (2) through mounting hole in sink. Secure spout with gasket and bracket (3) and nut (4). **Note: If sink is uneven, use silicone under the gasket.**

C. Align tabs (1) and tabs (2) on quick connects (3). Push quick connects firmly upward and snap onto receiving tube tab (1). Pull down moderately to ensure each connection has been made.

A. CIERRE LOS SUMINISTROS DE AGUA. Quite la llave de agua vieja. Deslice las válvulas extremas, caliente y fría (1) con las juntas (2) a través de los agujeros para la instalación en el lavamanos. **Nota: Si el lavamanos está desnivelado, use silicón por debajo de las juntas.** Asegúrese ue los tubos largos (3) están instalados en sentido contrario del desviador. Fije las válvulas extremas con las arandelas (4) y los soportes enroscados (5). Apriete a mano los soportes (5) en la espiga (6). Entrabe los soportes en su posición apretando los tornillos (7).

B. Coloque el desviador (1) con la junta (2) a través de los agujeros para instalación en el lavamanos. Fije el desviador con empaque y soporte de montaje (3) y la tuerca (4). **Nota: Si el lavamanos está desnivelado, use silicón por debajo de la junta.**

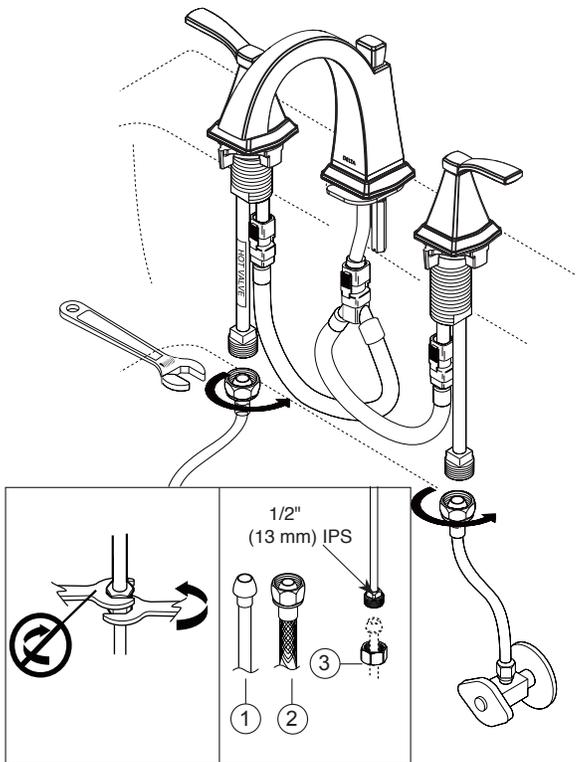
C. Alinee las lengüetas (1) con las lengüetas (2) en las conexiones rápidas (3). Firmemente presione las conexiones rápidas hacia arriba y a presión en la lengüeta del tubo receptor (1). Hale hacia abajo moderadamente para asegurar que cada conexión se ha hecho.

A. INTERROMPEZ L'ARRIVÉE D'EAU. Enlevez le vieux robinet. Faites glisser les soupapes d'eau chaude et d'eau froide (1) avec les joints (2) dans les trous de montage de l'évier. **Note : si l'évier est inégal, appliquez du composé d'étanchéité à la silicone sous les joints.** Prenez soin d'écarter les tubes longs (3) du bec en les installant. Fixez les soupapes avec les rondelles (4) et les fixations filetées (5). Vissez les fixations (5) à la main sur l'entrée d'eau (6). Bloquez les fixations en place en serrant les vis (7).

B. Placez le bec (1) avec le joint (2) dans le trou de montage de l'évier. Fixez le bec avec joint et support de montage (3) et l'écrou (4). **Note: si l'évier est inégal, appliquez du composé d'étanchéité à la silicone sous le joint.**

C. Alineez les pattes (1) et les pattes (2) des raccords rapides (3). Poussez les raccords rapides fermement vers le haut jusqu'à ce qu'ils s'accrochent à la patte du tube récepteur (1). Tirez modérément sur le raccord pour en vérifier la solidité

2



CONNECT TO WATER SUPPLIES. (HOOK-UPS NOT PROVIDED).

- A.** Turn on hot and cold water supplies and flush water lines into a container for one minute. **Important: This flushes away any debris that could cause damage to internal parts.**
- B.** Choose hook-ups for 1/2" I.P.S. connections: (1) Ball nose riser (3/8" O.D. copper tubing), or (2) 1/2" I.P.S. faucet connector. Use coupling nuts (3) (not supplied) with the ball nose risers (1). Use two wrenches when tightening. Do not overtighten.

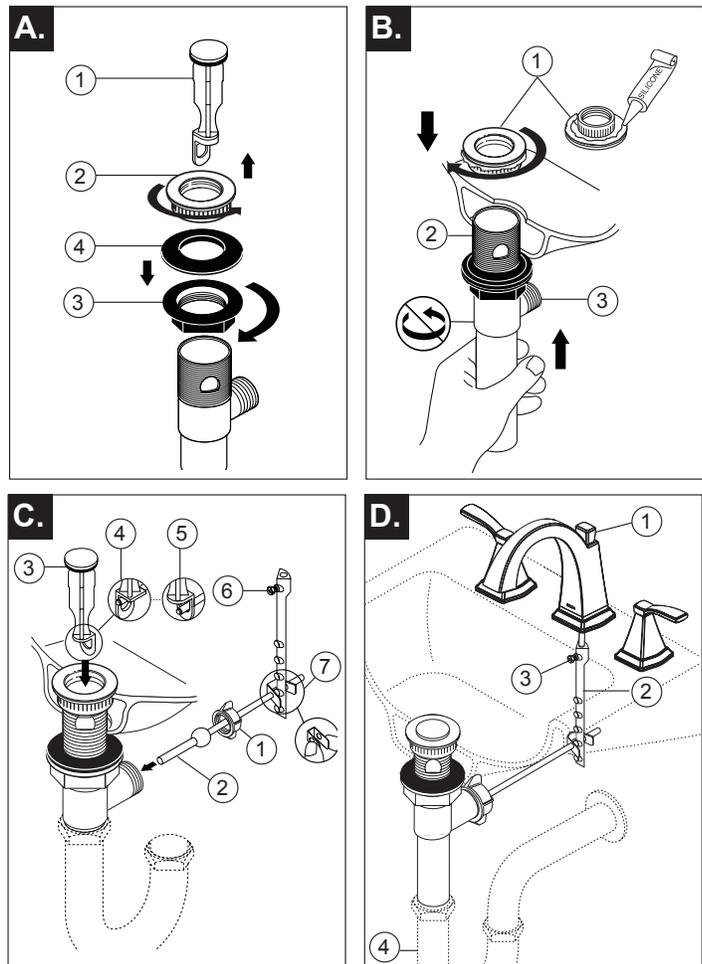
CONECTE A LOS SUMINISTROS DE AGUA. (LAS CONEXIONES NO SON PROPORCIONADAS).

- A.** Abra los suministros de agua caliente y fría y deje correr el agua por las tuberías hasta un recipiente por un minuto. **Importante: Esto limpia cualquier residuo que pudiera causar daño a las partes internas.**
- B.** Escoja las conexions IPS de 1/2": (1) Conexión Bola-nariz (Tubería cobre 3/8" D.E.), o (2) Conector de llave I.P.S. 1/2". Utilice las tuercas de acoplamiento (3) (no proporcionadas) con la conexión bola-nariz (1). Utilice dos llaves de tuercas cuando apriete. No apriete demasiado.

RACCORDEMENT À LA TUYAUTERIE. D'ALIMENTATION (RACCORDS NON FOURNIS).

- A.** Ouvrez les robinets d'arrivée d'eau chaude et d'eau froide à fond et laissez l'eau s'écouler une minute. **Important: Il sert pour évacuer les corps étrangers qui pourraient abîmer les composants internes.**
- B.** Choisissez des raccords compatibles 1/2 po IPS: (1) tubes-raccords à portée sphérique (tube en cuivre 3/8 po d.e.) ou (2) raccords de robinet 1/2 po IPS. Si vous utilisez des tubes-raccords à portée sphérique (1), servez-vous des écrous de raccordement (3) (non fournis). Utilisez deux clés pour serrer les raccords. Prenez garde de trop serrer.

3



Install Pop-Up Assembly

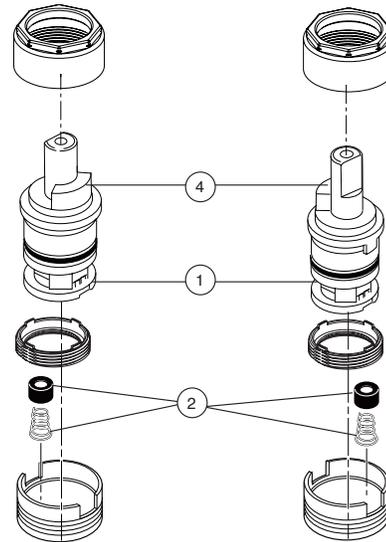
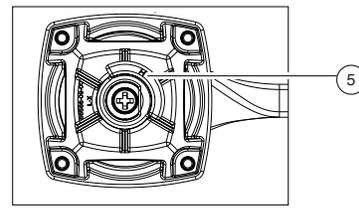
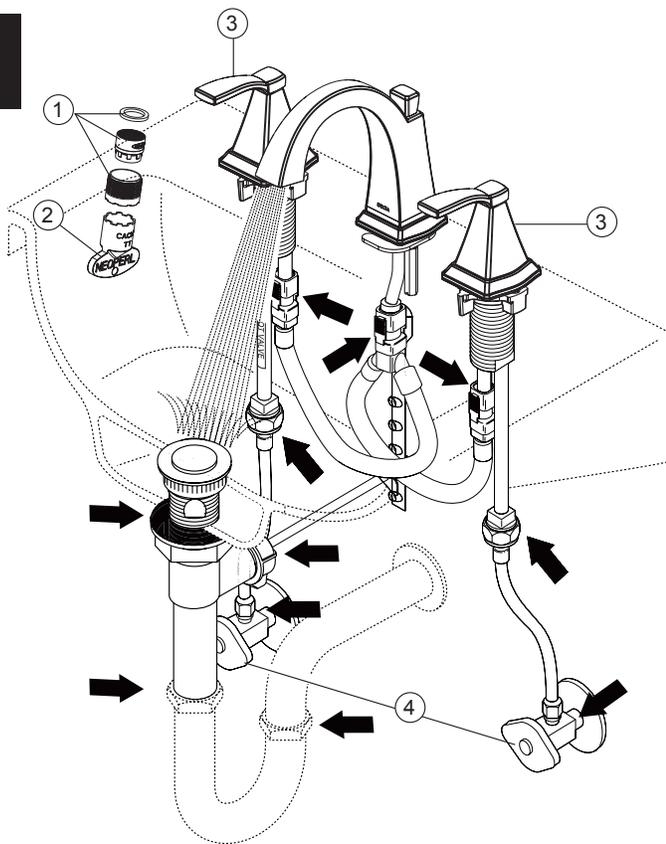
- A.** Remove stopper (1) and flange (2). Screw nut (3) all the way down. Push black gasket (4) down.
- B.** Apply silicone to underside of flange (1). Insert body (2) into sink. Screw flange onto body. Pivot hole (3) must face back of sink. Tighten nut/gasket, clean excess silicone.
- C.** Remove pivot nut (1). Install horizontal rod (2) and stopper (3) as removable (4) or non-removable (5). Hand tighten pivot nut. Attach horizontal rod to strap (6) using clip (7).
- D.** Insert lift rod (1) through faucet and into strap (2). Tighten screw (3). Connect assembly to drain (4).

Instale el Ensemble de Desagüe Automático

- A.** Quite el tapón (1) y el reborde (2). Atornille la tuerca (3) completamente hasta abajo. Empuje el empaque negro (4) hacia abajo.
- B.** Aplique silicón a la parte interior del reborde (1). Inserte el cuerpo (2) en el lavamanos. Atornille el reborde encima del cuerpo. El hoyo del pivote (3) debe de estar de la parte a la llave. Apriete la tuerca/empaque, limpie el exceso de silicón.
- C.** Quite la tuerca del pivote (1). Instale la barra horizontal (2) y el tapón (3) como desmontable (4) o fijo (5). Apriete a mano la tuerca del pivote. Una la barra horizontal a la barra chata (6) utilizando el gancho (7).
- D.** Introduzca la barra de alzar (1) a través de la llave y dentro en la barra chata (2). Apriete el tornillo (3). Conecte el ensamble al desagüe (4).

Installez le renvoi mécanique

- A.** Enlevez la bonde (1) et la collerette (2). Vissez l'écrou (3) à fond. Poussez le joint noir (4) vers le bas.
- B.** Appliquez du composé d'étanchéité à la silicone sous la collerette (1). Introduisez le corps (2) du renvoi dans l'évier. Vissez la collerette sur le corps. Le trou du pivot (3) doit faire face à l'arrière de l'évier. Serrez l'écrou contre le joint et enlevez le surplus de composé d'étanchéité.
- C.** Enlevez l'écrou de pivot (1). Installez la tige horizontale (2) et la bonde (3) pour qu'elle soit amovible (4) ou non amovible (5). Serrez l'écrou de pivot à la main. Fixez la tige horizontale au feuillarde (6) à l'aide de l'agrafe (7).
- D.** Introduisez la tirette (1) dans le robinet et le feuillard (2). Serrez la vis (3). Raccordez l'ensemble au renvoi (4).



FLUSH SYSTEM/CHECK FOR LEAKS.

Remove aerator (1) using supplied wrench (2) and turn faucet handles (3) to the full on mixed position. Turn on hot and cold water supplies (4) and flush water lines for one minute.

Important: This flushes away any debris that could cause damage to internal parts.

Check all connections at arrows for leaks. Replace aerator. Re-tighten if necessary, but do not overtighten.

Maintenance

SHUT OFF WATER SUPPLIES

NOTE: Remove handles by hand turning handle base counterclockwise.

If faucet exhibits very low flow:

Replace Stem Unit Assembly (1) and Seats and Springs (2)*.

If faucet exhibits very low flow:

A. Remove and clean Aerator (3) (page 5), or B. Clean Seats and Springs (2) of any debris.

*Install stems (1) correctly for proper handle rotation:

Note:

1. The stops (4) must point to the center of the faucet for proper handle rotation.

2. Replace handle properly. Be sure the handle with "H" mark (5) to be installed onto the left and the handle with "C" mark onto the right.

DEJE CORRER EL AGUA POR EL SISTEMA/EXAMINE POR SI HAY FILTRACIONES.

Quite el aireador (1) usando la llave de tuercas (2) proporcionada con su llave de agua y gire las manijas de la llave de agua (3) a la posición completamente abierta. Abra los suministros de agua caliente y fría (4) y deje que el agua corra por las líneas por un minuto.

Importante: Esto limpia cualquier escombros que pudiera causar daño a las partes internas.

Examine para asegurarse que no haya filtraciones. Reemplace el aireador. Apriete de nuevo si es necesario, pero no apriete demasiado.

Mantenimiento

CIERRE LOS SUMINISTROS DE AGUA

NOTA: Saque la manilla girando la base de manilla en contra del sentido de las agujas de reloj.

Si la llave tiene fugas en la salida:

Reemplace los Ensemble de la Unidad del Vástago (1) y Asientos y Resortes (2)*.

Si la llave muestra un flujo muy bajo:

A. Quite y limpie el aireador (3) (página 5), o B. Limpie los Asientos y Resortes (2) de cualquier escombros.

*Instale las espigas (1) correctamente para una giración correcta de la manija:

Note:

1. Los toques (4) deben señalar al centro de la llave de agua para obtener una rotación apropiada de la manija.

2. Vuelva a colocar manilla adecuadamente. Be sure the handle with "H" mark (3) to be installed onto the left and the handle with "C" mark onto the right.

RINÇAGE DE L'INSTALLATION ET VÉRIFICATION DE L'ÉTANCHÉITÉ.

Retirez l'aérateur (1) en utilisant la clé (2) et tournez les poignées (3) du robinet en position d'écoulement maximum de l'eau chaude et de l'eau froide. Rétablissez l'alimentation en eau chaude et en eau froide (4), puis laissez s'écouler l'eau une minute.

Important: Il faut laisser s'écouler l'eau pour évacuer les saletés qui pourraient abîmer les éléments internes du robinet.

Vérifiez l'étanchéité. Remettez l'aérateur en place. Serrez-les de nouveau au besoin, mais prenez garde de trop serrer.

Entretien

INTERROMPEZ L'ARRIVÉE D'EAU

NOTE: Enlevez des poignées par la main en tournant la poignée par en base en sens inverse des aiguilles d'une montre.

Si le robinet fuit par le bec :

Remplacez l'obturateur (1) ainsi que les sièges et les ressorts (2)*.

Si le débit du robinet est très faible:

A. Enlevez l'aérateur (3) (page 5) et nettoyez-le. B. Vous pouvez aussi nettoyer les sièges et les ressorts (2).

*Installez les obturateurs (1) correctement pour que les manettes pivotent dans le bon sens.

Note:

1. les butées (4) doivent pointer vers le centre du robinet pour que les manettes pivotent correctement.

2. Remplacez la poignée correctement. Lamanette portant la lettre " H " (3) doit être montée du côté gauche et lamanette portant la lettre " C " , du côté droit.

Limited Warranty on Delta® Faucets

Parts and Finish. All parts (other than electronic parts and batteries) and finishes of Delta® faucets purchased from authorized Delta sellers are warranted to the original consumer purchaser to be free from defects in material and workmanship for as long as the original consumer purchaser owns the home in which the faucet was first installed. For commercial purchasers, (a) the warranty period is ten (10) years for multi-family residential applications and (b) five (5) years for all other commercial applications, in each case from the date of original purchase. For purposes of this warranty, the term "multi-family residential application" refers to the purchase of the faucet from an authorized Delta seller by a purchaser who owns but does not live in the residential dwelling in which the faucet is initially installed, such as in a rented or leased single unit or multi-unit detached home (duplex or townhome), or a condominium, apartment building or community living center. The following installations are not considered multi-family residential applications, are excluded from the 10-year warranty and are subject to the 5-year warranty: industrial, institutional or other business premises, such as a dormitory, hospitality premises (hotel, motel or extended stay location), airport, educational facility, long- or short-term healthcare facility (hospital, rehabilitation center, nursing, assisted or staged-care living unit), public space or common area.

Parts and Finish for Delta® Recertified Faucets. Delta Faucet Company offers for sale on deltafaucet.com Delta® Recertified faucets. All parts (other than electronic parts and batteries) and finishes of these Delta® Recertified faucets are warranted to the original consumer purchaser to be free from defects in material and workmanship for ten (10) years from the date of original purchase. For commercial purchasers, the warranty period is one (1) year from the date of original purchase.

Electronic Parts. Electronic parts (other than batteries), if any, of Delta® faucets purchased from deltafaucet.com or authorized Delta sellers are warranted to the original consumer purchaser to be free from defects in material and workmanship for five (5) years from the date of original purchase, for commercial purchasers, for one (1) year from the date of original purchase. No warranty is provided on batteries.

What We Will Do. Delta Faucet Company will repair or replace, free of charge, during the applicable warranty period (as described above), any part or finish that proves defective in material and/or workmanship under normal installation, use and service. If repair or replacement is not practical, Delta Faucet Company may elect to refund the purchase price in exchange for the return of the product. **These are your exclusive remedies.**

What Is Not Covered. Because Delta Faucet Company is unable to control the quality of Delta products sold by unauthorized sellers, unless otherwise prohibited by law, this warranty does not cover Delta products purchased from unauthorized sellers.

Any labor charges incurred by the purchaser to repair, replace, install or remove this product are not covered by this warranty. Delta Faucet Company shall not be liable for any damage to the faucet resulting from reasonable wear and tear, outdoor use, misuse (including use of the product for an unintended application), freezing water, abuse, neglect or improper or incorrectly performed installation, maintenance or repair, including failure to follow the applicable care and cleaning instructions. Delta Faucet Company recommends using a professional plumber for all installation and repair of faucets. We also recommend that you use only genuine Delta® replacement parts.

What You Must Do To Obtain Warranty Service or Replacement Parts. A warranty claim may be made and replacement parts may be obtained by calling 1 800 345 DELTA (3358) or by contacting us by mail or online as follows (please include your model number and date of original purchase):

In the United States and Mexico:
Delta Faucet Company
Product Service
55 E. 111th Street
Indianapolis, IN 46280
Attention: Customer Solutions
www.deltafaucet.com/service-parts/contact-us

In Canada:
Masco Canada Limited, Plumbing Group
Technical Service Centre
350 South Edgeware Road
St. Thomas, Ontario, Canada N5P 4L1
Attention: Customer Service
<http://www.deltafaucet.ca/customersupport/assistance.html>

Proof of purchase (original sales receipt) from the original purchaser must be made available to Delta Faucet Company for all warranty claims unless the purchaser has registered the product with Delta Faucet Company or the product is a Delta® Recertified product purchased from deltafaucet.com. This warranty applies only to Delta® faucets manufactured after January 1, 2019 and installed in the United States of America, Canada and Mexico.

Limitation on Duration of Implied Warranties. Please note that some states/provinces (including Quebec) do not allow limitations on how long an implied warranty lasts, so the below limitations may not apply to you. TO THE MAXIMUM EXTENT PERMITTED BY APPLICABLE LAW, ANY IMPLIED WARRANTY, INCLUDING THE IMPLIED WARRANTIES OF MERCHANTABILITY AND OF FITNESS FOR A PARTICULAR PURPOSE, IS LIMITED TO THE STATUTORY PERIOD OR THE DURATION OF THIS WARRANTY, WHICHEVER IS SHORTER.

Limitation of Special, Incidental or Consequential Damages. Please note that some states/provinces (including Quebec) do not allow the exclusion or limitation of special, incidental or consequential damages, so the below limitations and exclusions may not apply to you. TO THE MAXIMUM EXTENT PERMITTED BY APPLICABLE LAW, THIS WARRANTY DOES NOT COVER, AND DELTA FAUCET COMPANY SHALL NOT BE LIABLE FOR, ANY SPECIAL, INCIDENTAL OR CONSEQUENTIAL DAMAGES (INCLUDING LABOR CHARGES TO REPAIR, REPLACE, INSTALL OR REMOVE THIS PRODUCT), WHETHER ARISING OUT OF BREACH OF ANY EXPRESS OR IMPLIED WARRANTY, BREACH OF CONTRACT, TORT OR OTHERWISE. DELTA FAUCET COMPANY SHALL NOT BE LIABLE FOR ANY DAMAGE TO THE FAUCET RESULTING FROM REASONABLE WEAR AND TEAR, OUTDOOR USE, MISUSE (INCLUDING USE OF THE PRODUCT FOR AN UNINTENDED APPLICATION), FREEZING WATER, ABUSE, NEGLECT OR IMPROPER OR INCORRECTLY PERFORMED INSTALLATION, MAINTENANCE OR REPAIR, INCLUDING FAILURE TO FOLLOW THE APPLICABLE INSTALLATION, CARE AND CLEANING INSTRUCTIONS. Notice to residents of the State of New Jersey: The provisions of this warranty, including its limitations, are intended to apply to the fullest extent permitted by the laws of the State of New Jersey.

Additional Rights. This warranty gives you specific legal rights, and you may also have other rights which vary from state/province to state/province.

This is Delta Faucet Company's exclusive written warranty and the warranty is not transferable.

If you have any questions or concerns regarding our warranty, please contact us as provided above or view our Warranty FAQs at www.deltafaucet.com.

© 2020 Delta Faucet Company

Garantía Limitada en las Llaves de Agua de Delta®

Piezas y Acabado. Todas las piezas (excepto los componentes electrónicos y las pilas) y los acabados de los grifos Delta Faucet® comprados de vendedores autorizados por Delta están garantizados al consumidor comprador original de estar libres de defectos en material y fabricación durante el tiempo que el comprador original sea propietario de la vivienda en la que el grifo/la llave de agua fue originalmente instalada. En el caso de los consumidores comerciales, (a) el período de garantía es de diez (10) años para aplicaciones multifamiliares (apartamentos y condominios) y (b) cinco (5) años para todos las otras aplicaciones comerciales, en cada caso a partir de la fecha de compra. Para los propósitos de esta garantía, el término "aplicación multifamiliar residencial" se refiere a la compra del grifo de un vendedor autorizado por Delta por el comprador propietario que no vive en la vivienda residencial donde se instaló inicialmente la llave de agua, como en una unidad alquilada o arrendada, o unidad o vivienda unifamiliar separada (dúplex o casas adosadas), o un condominio, edificio de apartamentos o centro de vivienda comunitaria. Las siguientes instalaciones no se consideran aplicaciones multifamiliares residenciales, están excluidas de la garantía de 10 años y están sujetas a la garantía de cinco años: instalaciones industriales, institucionales u otras instalaciones comerciales, como dormitorios, instalaciones de hospital (hotel, motel o una alberga para estancias prolongadas), aeropuerto, centro educativo, centro de atención de salud a corto o largo plazo (hospital, centro de rehabilitación, asilo de ancianos, unidad de vivienda asistida o una unidad residencial de cuidado), espacio público o área común.

Piezas y acabados para grifos recertificados Delta®. Delta Faucet Company ofrece para la venta en deltafaucet.com llaves de agua/grifos recertificados Delta®. Todas las piezas electrónicas (excepto las partes electrónicas y las pilas) y los acabados de estos grifos recertificados Delta® están garantizados al consumidor comprador original de estar libres de defectos en material y fabricación durante diez (10) años a partir de la fecha de compra. Para los consumidores comerciales, el período de garantía es por un (1) año a partir de la fecha de compra.

Piezas electrónicas. Las piezas electrónicas (excepto las pilas), si las hay, de las llaves de agua Delta® compradas de deltafaucet.com o vendedores autorizados por Delta están garantizadas al consumidor comprador original de estar libres de defectos en material y fabricación durante cinco (5) años a partir de la fecha de compra o para los consumidores comerciales, por un (1) año a partir de la fecha de compra. No se garantizan las pilas.

Lo que haremos. La compañía Delta Faucet Company reparará o reemplazará, sin costo alguno, durante el período de garantía aplicable (como descrito arriba) cualquier pieza o acabado que demuestre ser defectuosa en material y/o fabricación bajo la instalación, el uso y el servicio normal. Si la reparación o el reemplazo no es práctico, Delta Faucet Company puede optar por reembolsarle el precio de compra a cambio de la devolución del producto. **Estos son sus remedios exclusivos.**

Lo que no cubre. Debido a que Delta Faucet Company no puede controlar la calidad de los productos Delta vendidos por vendedores no autorizados, a menos que la ley lo prohíba, esta garantía no cubre los productos Delta comprados a vendedores no autorizados.

No cubre cualquier gasto de labor incurrido por el comprador para reparar, reemplazar, instalar o desmontar este producto. Delta Faucet Company no es responsable por cualquier daño al grifo que resulte del desgaste razonable, uso en el exterior, uso indebido, (incluyendo el uso del producto para una aplicación indebida), agua helada, abuso, negligencia o la instalación, el mantenimiento o la reparación incorrecta, incluido el incumplimiento de las instrucciones de cuidado y limpieza correspondientes. Delta Faucet Company recomienda el uso de los servicios de un plomero profesional para toda instalación y reparación de los grifos. También recomendamos que use solo piezas de repuesto genuinas Delta®.

Lo que usted debe hacer para obtener servicio de garantía o piezas de repuesto. Se puede hacer un reclamo de la garantía y se pueden obtener piezas de repuesto llamando al 1-877-345-DELTA (3358) o contactándonos por correo postal o electrónico como indicado (favor incluya el número del modelo y la fecha de compra):

En los Estados Unidos y México:
Delta Faucet Company
Product Service
55 E. 111th Street
Indianapolis, IN 46280
Attention: Customer Solutions
www.deltafaucet.com/service-parts/contact-us

En Canadá:
Masco Canada Limited, Plumbing Group
Technical Service Centre
350 South Edgeware Road
St. Thomas, Ontario, Canada N5P 4L1
Attention: Customer Service
<http://www.deltafaucet.ca/customersupport/assistance.html>

El comprobante de compra (recibo de venta original) del comprador original debe ser disponible a Delta Faucet Company para todos los reclamos de garantía a menos que el comprador haya registrado el producto en Delta Faucet Company o es un producto recertificado de Delta® comprado de deltafaucet.com. Esta garantía aplica solo a las llaves de agua/grifos Delta® fabricados después de enero 1, 2019 e instalados en los Estados Unidos de América, Canadá y México.

La limitación de la duración de las garantías implícitas. Favor tomar nota que algunos estados/provincias (incluyendo Quebec) no permiten las limitaciones de la duración de una garantía implícita por lo que las limitaciones a continuación pueden no aplicarse. HASTA EL ALCANCE MÁXIMO EN QUE LA LEY LO PERMITA, CUALQUIER GARANTÍA IMPLÍCITA, INCLUIDAS LAS GARANTÍAS IMPLÍCITAS DE COMERCIABILIDAD Y DE IDONEIDAD PARA UN PROPOSITO PARTICULAR, ESTÁ LIMITADA AL PERÍODO LEGAL O A LA DURACIÓN DE ESTA GARANTÍA, LO QUE SEA MÁS CORTO.

Limitación de daños especiales, incidentales o consiguientes. Favor de tomar nota que algunos estados/provincias (incluyendo Quebec) no permiten la exclusión o limitación de daños especiales, incidentales o consiguientes, por lo que estas limitaciones y exclusiones pueden no aplicarse. HASTA EL ALCANCE EN QUE LA LEY LO PERMITA, ESTA GARANTÍA NO CUBRE Y DELTA FAUCET COMPANY NO SE HACE RESPONSABLE, POR NINGÚN DAÑO ESPECIAL, INCIDENTAL O CONSIGUIENTE (INCLUYENDO LOS GASTOS DE LABOR PARA REPARAR, REEMPLAZAR, INSTALAR O DESMONTAR ESTE PRODUCTO), YA SEA EL RESULTADO DEL INCUMPLIMIENTO DE CUALQUIER GARANTÍA EXPRESA O IMPLÍCITA, INCUMPLIMIENTO DE CONTRATO, AGRAVIO O DE OTRA MANERA. DELTA FAUCET COMPANY NO SE RESPONSABILIZA POR CUALQUIER DAÑO AL GRIFO QUE RESULTE DEL DESGASTE RAZONABLE. USO EN EL EXTERIOR DE LA PROPIEDAD, USO INDEBIDO (INCLUYENDO EL USO DEL PRODUCTO PARA UNA APLICACIÓN INDEBIDA), AGUA HELADA, ABUSO, NEGLIGENCIA O INSTALACIÓN O MANTENIMIENTO INADECUADO O INCORRECTO, INCLUYENDO EL NO SEGUIR LAS INSTRUCCIONES CORRESPONDIENTES PARA EL CUIDADO, LA LIMPIEZA Y EL MANTENIMIENTO. Aviso para los residentes del estado de New Jersey: Las disposiciones de este documento tienen la intención de aplicarse en la máxima medida permitida por las leyes del estado de New Jersey.

Derechos adicionales. Esta garantía le otorga derechos legales específicos y también puede tener otros derechos que varían de estado/provincia a estado/provincia.

Esta es la garantía escrita exclusiva de Delta Faucet Company y la garantía no es transferible.

Si tiene preguntas o dudas con respecto a nuestra garantía, por favor comuníquese con nosotros como se indica anteriormente o consulte nuestras Preguntas Frecuentes Warranty FAQs en www.deltafaucet.com.

© 2020 Delta Faucet Company

Garantie limitée des robinets Delta®

Pièces et finis. Tous les pièces (autres que les composants électroniques et les piles) et les finis de ces robinets Delta® achetés chez des vendeurs Delta autorisés sont protégés contre les défauts du matériau et les vices de fabrication par une garantie qui est consentie au premier acheteur au détail et qui demeure valide tant que celui-ci demeure propriétaire de la maison dans laquelle le robinet a été installé. En ce qui concerne les acheteurs commerciaux, la période de garantie est a) de dix (10) ans pour les applications résidentielles multifamiliales et b) de cinq (5) ans pour toutes les autres applications commerciales, à compter de la date d'achat dans chaque cas. Dans le libellé de la présente garantie, on entend par « application résidentielle multifamiliale », un robinet acheté chez un vendeur Delta autorisé par un acheteur qui est propriétaire d'un logement résidentiel sans l'habiter et installé la première fois dans cet immeuble. Il peut s'agir d'un immeuble individuel comportant un ou plus d'un logement loué (duplex ou groupe de maisons en rangée), d'un condominium, d'un immeuble d'habitation ou d'un centre d'intégration communautaire. Les applications décrites ci-après ne sont pas considérées comme des applications multifamiliales et elles sont couvertes par la garantie de cinq (5) ans plutôt que par la garantie de dix (10) ans. Ce sont les suivantes : robinets installés dans un bâtiment industriel, un bâtiment institutionnel et un autre immeuble commercial, notamment une résidence d'étudiants, un lieu d'hébergement (hôtel, motel ou lieu de séjour prolongé), un aéroport, un établissement d'enseignement, un établissement de soins de santé de courte ou de longue durée (hôpital, centre de réadaptation, maison de soins infirmiers), un endroit public ou un lieu commun.

Pièces et finis pour les robinets recertifiés Delta®. Delta Faucet Company offre en vente sur deltafaucet.com des robinets recertifiés Delta®. Tous les pièces (autres que les composants électroniques et les piles) et les finis de ces robinets recertifiés Delta® sont protégés contre les défauts du matériau et les vices de fabrication par une garantie d'une durée de dix (10) ans qui est consentie au premier acheteur au détail à compter de la date d'achat par ledit acheteur. En ce qui concerne les acheteurs commerciaux, la durée de la garantie est d'un (1) an à compter de la date d'achat par le premier acheteur.

Composants électroniques. Les composants électroniques (autres que les piles) de ces robinets Delta® qui ont été achetés chez des vendeurs Delta autorisés sont protégés contre les défauts du matériau et les vices de fabrication par une garantie consentie au premier acheteur au détail qui est de cinq (5) ans à compter de la date d'achat. En ce qui concerne les acheteurs commerciaux, la période de garantie est d'un (1) an à compter de la date d'achat. Les piles ne sont pas couvertes par la garantie.

Ce que nous ferons. Delta Faucet Company réparera ou remplacera gratuitement, pendant la période de garantie applicable (décrite ci-dessus), toute pièce ou tout fini qui présentera une défectuosité de matériau et/ou un vice de fabrication pour autant que le produit ait été installé, utilisé et entretenu normalement. S'il n'est pas utile de réparer ou de remplacer le produit, Delta Faucet Company pourra rembourser le prix d'achat en échange du produit retourné. **Il s'agit de vos seuls recours.**

Ce qui n'est pas couvert. Étant donné que Delta Faucet Company n'est pas en mesure de contrôler la qualité des produits vendus par des vendeurs non autorisés, la présente garantie ne s'applique pas aux produits Delta vendus par des vendeurs non autorisés, à moins que cette restriction ne soit interdite par la loi.

La présente garantie ne couvre pas les frais de main-d'œuvre encourus par l'acheteur pour la réparation, le remplacement, l'installation ou la dépose du robinet. Delta Faucet Company se dégage de toute responsabilité à l'égard de toute détérioration du robinet résultant d'une usure raisonnable et des dommages causés par une utilisation à l'extérieur, un mauvais usage (y compris l'utilisation du produit à des fins autres que celles auxquelles il est destiné), le gel de l'eau, un usage abusif, la négligence ou l'utilisation d'une méthode d'installation, de maintenance ou de réparation incorrecte ou inadéquate, y compris les dommages résultant du non-respect des instructions de nettoyage et d'entretien applicables. Delta Faucet Company vous recommande de confier tous les travaux d'installation et de réparation à un plombier professionnel. Nous vous recommandons également d'utiliser uniquement des pièces de rechange Delta® authentiques.

Ce que vous pouvez faire pour vous prévaloir de la garantie ou obtenir des pièces de rechange. Vous pouvez présenter une réclamation en vertu de la garantie et obtenir des pièces de rechange en appelant au 1-800-345-DELTA (3358) ou en communiquant avec nous à l'une des adresses postales ou des adresses de courriel indiquées ci-dessous (n'oubliez pas d'indiquer le numéro de modèle et la date d'achat):

Aux États-Unis et au Mexique
Delta Faucet Company
Product Service
55 E. 111th Street
Indianapolis, IN 46280
Attention: Customer Solutions
www.deltafaucet.com/service-parts/contact-us

Au Canada:
Masco Canada Limited, Groupe plomberie
Centre de services techniques
350, chemin South Edgeware
St. Thomas (Ontario) Canada N5P 4L1
À l'attention du Service à la clientèle
<http://www.deltafaucet.ca/customersupport/assistance.html>

La preuve d'achat (original du reçu) du premier acheteur doit être présentée à Delta Faucet Company pour toutes les réclamations en vertu de la garantie, sauf si le produit a été enregistré auprès de Delta Faucet Company ou s'il s'agit d'un produit recertifié Delta® qui a été acheté de deltafaucet.com. La présente garantie s'applique uniquement aux robinets Delta® fabriqués après le 1er janvier 2019 et installés aux États-Unis d'Amérique, au Canada et au Mexique.

Limitation de la durée des garanties implicites. Veuillez noter que dans les États ou les provinces (y compris le Québec) où il est interdit de limiter la durée d'une garantie implicite, les limites mentionnées ci-dessous peuvent ne pas s'appliquer. DANS LA MESURE DE CE QUI EST PERMIS PAR LA LOI APPLICABLE, TOUTES LES GARANTIES IMPLIQUES, Y COMPRIS LES GARANTIES IMPLIQUES DE QUALITÉ MARCHANDE ET D'ADÉQUATION À UN USAGE PARTICULIER, SE LIMITENT À LA PÉRIODE FIXÉE PAR LA LOI OU À LA DURÉE DE LA PRÉSENTE GARANTIE, LA PLUS COURTE DES DEUX PÉRIODES S'APPLIQUANT.

Limitation des dommages particuliers, consécutifs ou indirects. Veuillez noter que dans les États ou les provinces (y compris le Québec) où il est interdit d'exclure ou de limiter les dommages particuliers, consécutifs ou indirects, les exclusions et les limites mentionnées ci-dessous peuvent ne pas s'appliquer. DANS LA MESURE DE CE QUI EST PERMIS PAR LA LOI APPLICABLE, DELTA FAUCET COMPANY SE DÉGAGE DE TOUTE RESPONSABILITÉ À L'ÉGARD DES DOMMAGES PARTICULIERS, CONSÉCUTIFS OU INDIRECTS (Y COMPRIS LES FRAIS DE MAIN-D'ŒUVRE POUR LA RÉPARATION, LE REMPLACEMENT, L'INSTALLATION OU LA DÉPOSE DU PRODUIT), PEU IMPORTENT QU'ILS DÉCOULENT D'UNE RUPTURE D'UNE GARANTIE IMPLICITE OU EXPLICITE, D'UNE RUPTURE DE CONTRAT, D'UN DÉLIT CIVIL OU D'UNE AUTRE CAUSE. DELTA FAUCET COMPANY SE DÉGAGE DE TOUTE RESPONSABILITÉ À L'ÉGARD DE TOUTE DÉTÉRIORATION DU ROBINET RÉSULTANT D'UNE USURE RAISONNABLE ET DES DOMMAGES CAUSÉS PAR UNE UTILISATION À L'EXTÉRIEUR, UN MAUVAIS USAGE (Y COMPRIS L'UTILISATION DU PRODUIT À DES FINS AUTRES QUE CELLES AUXQUELLES IL EST DESTINÉ), LE GEL DE L'EAU, UN USAGE ABUSIF, LA NÉGLIGENCE OU L'UTILISATION D'UNE MÉTHODE D'INSTALLATION, DE MAINTENANCE OU DE RÉPARATION INCORRECTE OU INADÉQUATE, Y COMPRIS LES DOMMAGES RÉSULTANT DU NON-RESPECT DES INSTRUCTIONS D'INSTALLATION, D'ENTRETIEN ET DE NETTOYAGE APPLICABLES, ET CES DOMMAGES NE SONT PAS COUVERTS PAR LA GARANTIE. Avis à l'intention des résidents de l'état du New Jersey : Les dispositions de la présente garantie, y compris ses limitations, s'appliquent dans toute la mesure permise par les lois de l'état du New Jersey.

Droits supplémentaires. La présente garantie vous procure des droits précis reconnus par la loi. Vous pouvez avoir d'autres droits qui varient selon l'état ou la province.

La présente garantie écrite est la seule garantie offerte par Delta Faucet Company et elle n'est pas transférable.

Si vous avez des questions ou des préoccupations concernant notre garantie, veuillez communiquer avec nous de la manière indiquée ci-dessus ou consulter notre FAQ sur la garantie à www.deltafaucet.com.

© 2020 Delta Faucet Company