

## Sink S4001 Filotop - 3363 050

Sinks

Code: 3363 050



### DETAILS

Finish Foster brushed

---

Material AISI 304 stainless steel

---

Texture Satin

---

Base 45 cm

---

Edge/Installation Type Flush-mount | Top-mount

---

Dimensions 460x520 mm

---

Standard fittings Fixing hooks, gasket, drain, overflow and siphon, boxed packing

---

Mixer holes 2 standard holes

---

Built-in hole View technical data sheet (for all Flush-mount / Top-mount models and Under-mount models)

---

Drainer	No
Width	46 cm
Bowl dimension	400x400mm
Number of bowls	1 bowl
Waste fitting	Drain with automatic control SPACE

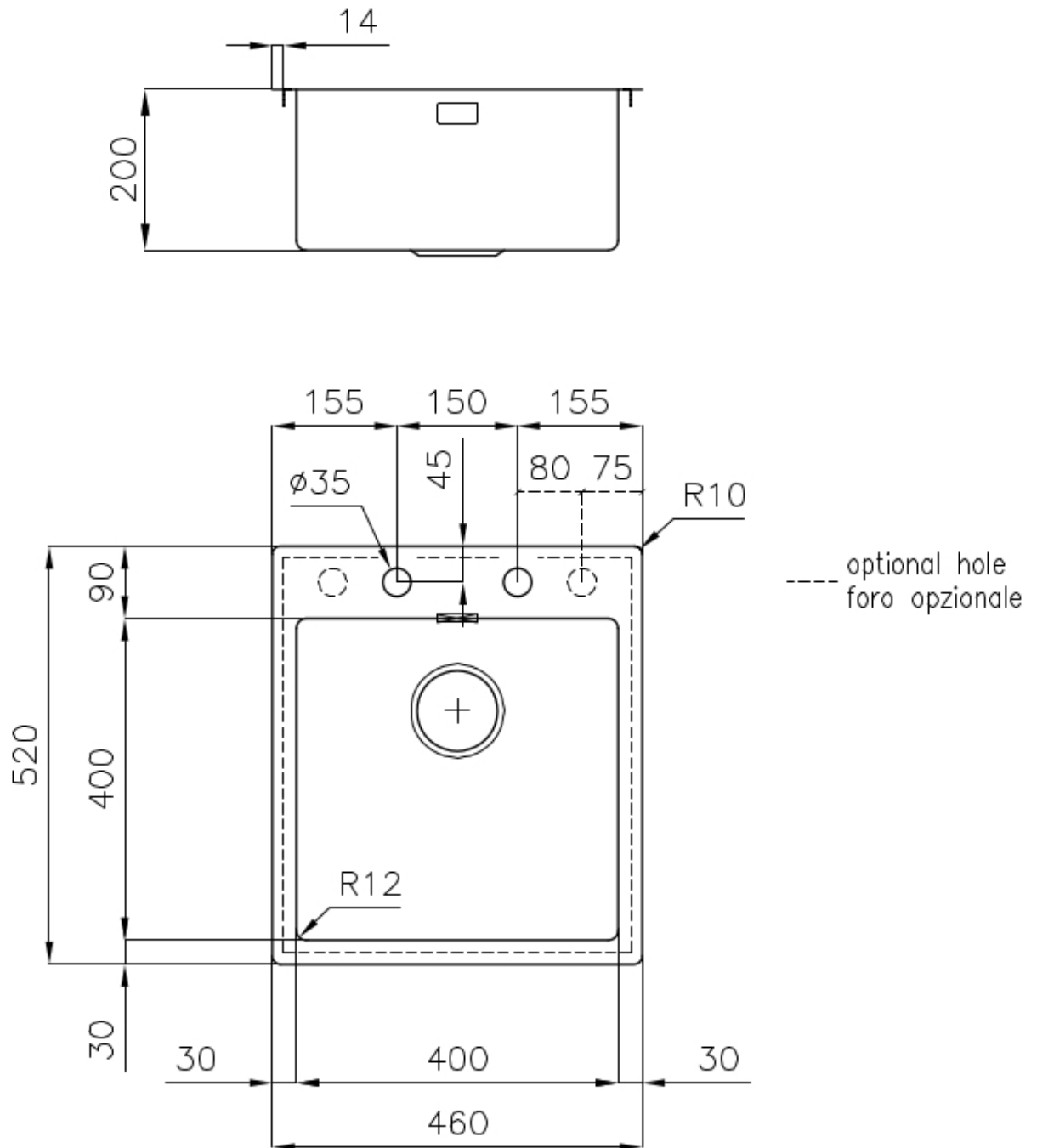
## FEATURES

Automatic waste fitting	The waste-fitting with round remote knob is supplied; a practical accessory which makes it unnecessary to get wet in order to drain the water from the bowl.
Deep bowls	This bowls reach an important depth, over 20 cm, thanks to the advanced production technology, that can be offer great capincy and praticity in all the washing operations.
Double mixer hole	The large tap counter is already fitted with a series of 2 tap holes. In the second hole it is possible to install the remote control of the automatic drain or, alternatively, a practical soap dispenser.
High thickness	1mm thick steel. A significant thickness, which guarantees the maximum sturdiness and durability.
Perimetral overflow	The overflow is always a security on the Foster sinks that prevents the overflow of water in case of oversights. The perimeter drain solution improves aesthetics thanks to its square and essential shape.
Save space system	Drain and siphon are designed to leave as much space as possible in the under-sink area, more and more useful today for theseparate waste collection systems.
Small radius	Bowls with squared shapes with a modern design and an increased capacity, for a minimal aesthetics connected with an extreme praticity.

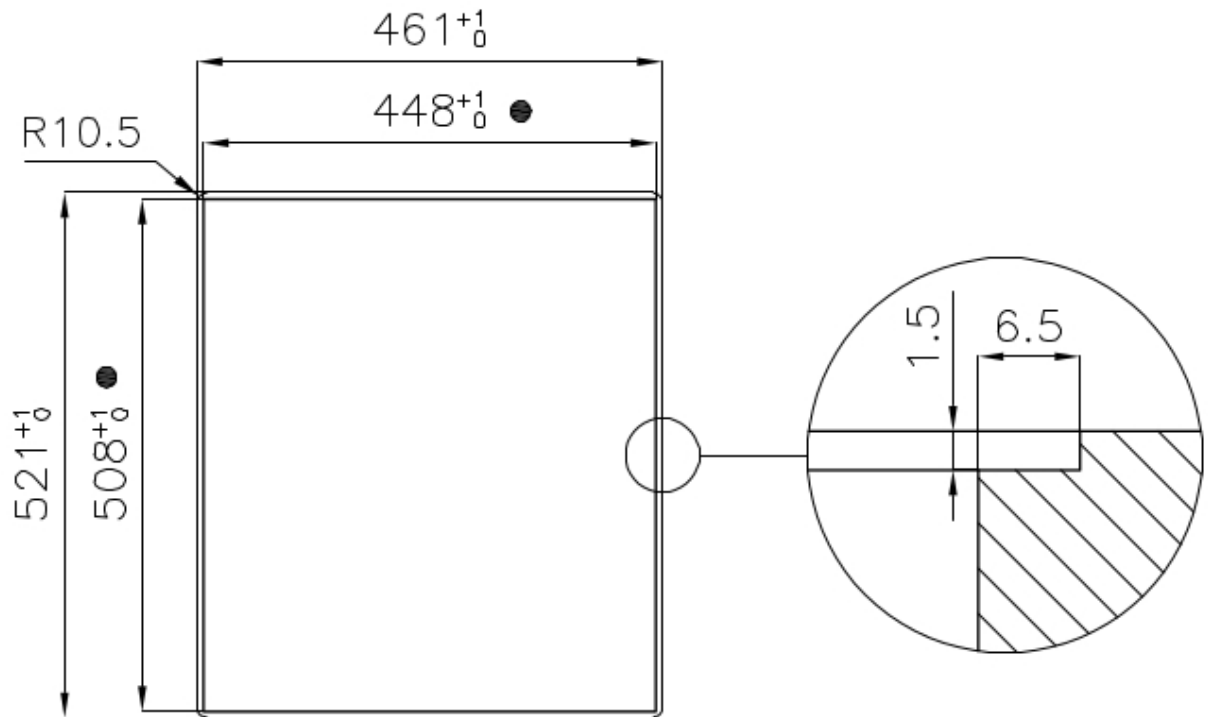
## Space waste fitting

The elegant SPACE steel cap closes the drain and leaves no visible residues collected in the basket below. Space also has a small footprint and allows the optimal use of the under-sink compartment.

## TECHNICAL DATA



Cut out size  
Dimensioni per foratura top



- Built-in cut out for FTS – Foratura per installazione FTS

## GALLERY



## EQUIPMENT

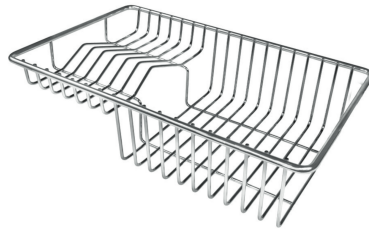


Space automatic waste fitting  
8407 108

## OPTIONAL ACCESSORIES



HPDE Twin chopping board 8644  
101



Stainless steel plate rack 8100 303



Glass chopping board 8631 300



Graters kit with ring-holder and  
food collection tray 8159 101



HPDE Chopping board 8657 001



Iroko-wood chopping board with  
stainless steel colander 8644 042



Iroko-wood sliding chopping board 8644 041



Iroko-wood twin chopping board 8644 004



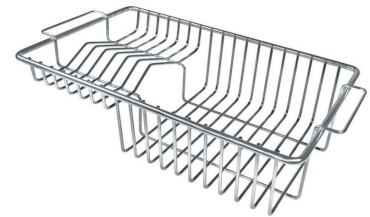
Stainless steel colander 8154 000



Stainless steel perforated tray 8151 000



Stainless steel plate rack 8100 154



Stainless steel plate rack 8100 201



White basket 8612 100



White bowl 8153 100

**WARNING:**

The accessories 8159101, 8100303,8151000 are only usable in combination with 8644101

## RECOMMENDED PAIRINGS



Mixer Tap Play 8487 000



Mixer Tap Tre Alto 8468 000