

ilTondo

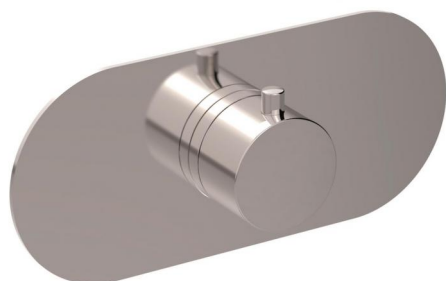
ilTondo single thermostatic
21809-CR

TECHNICAL INFORMATION

Single thermostatic mixer. Round plate and handle. CHROME

Flow rate:
?

PICTURE



SPARE PARTS



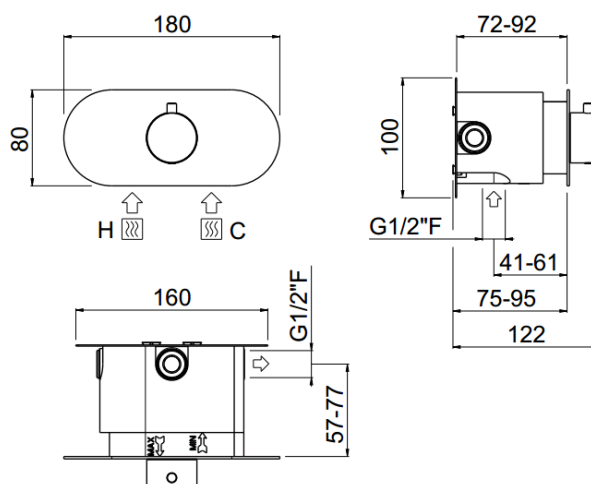
ORIC046
T°

FEATURES



safe built-in

TECHNICAL DRAWING



FINISHINGS

