



IB RUBINETTI

Collection

SUPERBOX

Article

SB220

Description

Bidet washbasin mixer

Box Dimensions

225 x 95 x 70 mm

Weight

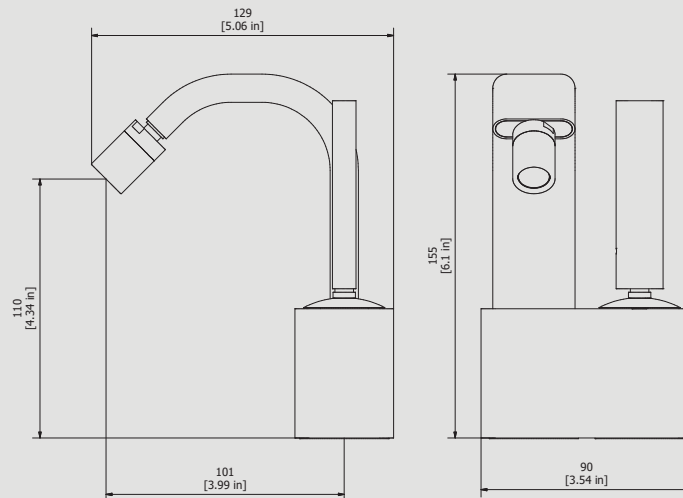
2.6 kg



Finishes

- **CC**
CHROME
- **CF**
BLACK CHROME
- **OO**
GOLD
- **BB**
ANTIQUÉ BRONZE
- **SS**
BRUSHED NICKEL
- **CS**
BRUSHED BLACK CHROME
- **BO**
MATT WHITE
- **NP**
MATT BLACK
- **IS**
BRUSHED PALE GOLD
- **OS**
BRUSHED GOLD
- **II**
PALE GOLD
- **RR**
ANTIQUÉ COPPER
- **RS**
ROSE GOLD
- **ON**
NATURAL BRASS
- **SR**
BRUSHED ROSE GOLD
- **PL**
PLATINUM

Dimensions



Cartridge

Ø25 ceramic cartridge

Hoses

Inox hoses G3\8" female 400 mms long

Aerator

M17x1

Flow Rate (+/-10%)

1 BAR	2 BAR	3 BAR
8 l\min	11 l\min	13 l\min

Production

Main body is a single hot stamped pieces

Material

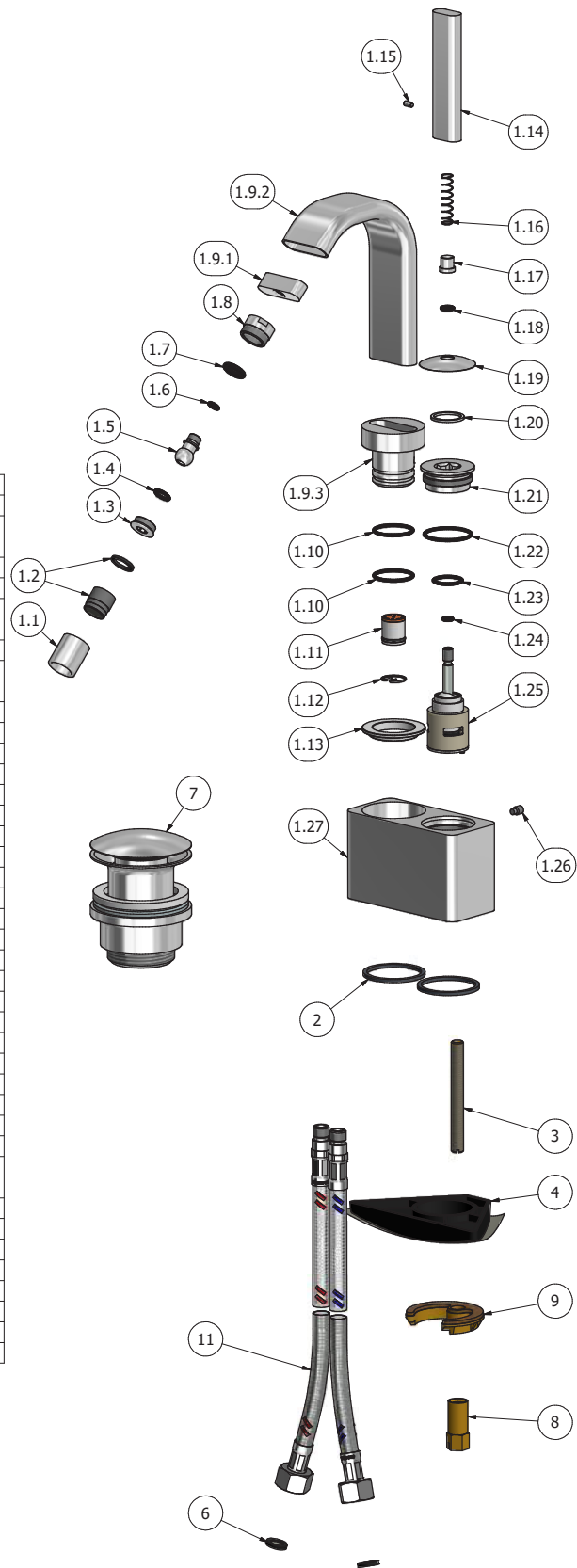
BRASS
According to CuZn42 (CW510L)
Max Lead content: 0.2%





IB RUBINETTI

Parts list			
ELEM	CODE	DESCRIPTION	QT
1	CPKSB220 CCX03	Preassembled bidet	1
1.1	AC0009673	Perlator retainer Ø18 M17x1 H20	1
1.2	AQ0009836	Perlator G3/8"	1
1.3	AC0009705	Fixing nut for bidet articulated joint Ø15.6 M14x1 H5.7	1
1.4	AQ0006645	OR 7.66x1.78 NBR 70 SH	1
1.5	AC0009672	Sphere for bidet articulated joint Ø11 M8 H19.5	1
1.6	AQ0009826	OR 5x1.5 NBR 70 SH	1
1.7	AQ0009254	OR 9x3 NBR 70 SH	1
1.8	AC0009704	Articulated joint for bidet M17x1 M14x1 H12	1
1.9	AC0011250	Spout	1
1.9.1	AS0011261	Spout's insert 32.6x9.6x10 M8	1
1.9.2	AS0011250	Bidet spout 35x12 L80 H110 R35	1
1.9.3	AS0011098	Spout's support Ø38.85 Ø25.8 H36	1
1.10	AQ0006637	OR 21.95x1.78 NBR 70 SH	2
1.11	AQ0011121	Valve reduction flow 10 LTM (31.4190.0)	1
1.12	AQ0009678	Elastic ring AISI 302	1
1.13	AQ0012088	Teflon ring Ø38.8xØ26 H5	1
1.14	AC0011283	Washbasin lever 80x20x10	1
1.15	AQ0010525	Grubscrew M3x6 p.p.	1
1.16	AQ0013011	Spring L30 F0.5 Ø7	1
1.17	AC0011284	Plunger for lever Ø7.9 Ø9.5 H9 hole 6,5	1
1.18	AQ0001325	OR 6x1.5 NBR 70 SH	1
1.19	AC0010892	Cartridge fixing nut sliding cover Ø34,5 H.4,2	1
1.20	AQ0011008	Teflon antifriction ring 20,4X17	1
1.21	AC0010893	Cartridge fixing nut Ø32,8 H.13,5	1
1.22	AQ0010564	OR 26.7x1.78 NBR 70 SH	1
1.23	AQ0004600	OR 15.6x1.78 NBR 70 SH	1
1.24	AQ0007122	OR 3.69x1.78 NBR 70 SH	1
1.25	AQ0011012	Ceramic cartridge open Ø25 with M6 rod (ST 325)	1
1.26	AQ0007178	Grubscrew M5x8	1
1.27	CC0002189	Washbasin body 90x55x42	1
2	AQ0010274	Rubber packing Ø38x33.5x2	2
3	AQ0010357	Fixing set	1
4	AQ0009184	Support base for sink	1
5	AQ0000932	Inox hose M10x1 G3/8" F L400	2
6	AQ0009513	Rubber packing G3/8" H 2	2
7	AQ0009837	Simple rapid waste 1"1/4	1



WARRANTY

All IB Rubinetterie SpA products are warranted for 10 years from the date of purchase, for the following cases:

- Defects of casting, porosity and chrome plating.
- Operating defects caused by incorrect fabrication.

The warranty provides for repair or replacement of products with fabrication defects recognized by our technical office. There is no other type of compensation anche the merchandise must be returned FOB our warehouse. The warranty only cover surface defects (scatches, dings, etc.) on fitting that have not been installed and used, returned in its original packaging with all components. O-ring, gasket seals and components subject to wear proportional to use are warranted for 2 years.

The warranty is void in the following cases:

Error installing and putting the product into service.

Deterioration of finished surfaces due to use of cleaning products containing acids or abrasive substances. Deterioration of surface with finishes other than chrome plating. Their durability is, in fact, dependent on the user's care and gentleness of use.

Deterioration of the fitting due incorrect installation.

Improper repairs and maintenance performed without the company's prior authorization.

The warranty from IB Rubinetterie SpA is not renewable.

Cleaning

We recommended cleaning the finish surfaces with water and soap, using a soft cloth.

Do not use detergents that contain hydrochloric acid or abrasive substances.

