



see what Delta can do<sup>SM</sup>

## FREESTANDING BATHTUB

■ 60" x 32" (1524 mm x 813 mm)

### STANDARD SPECIFICATIONS:

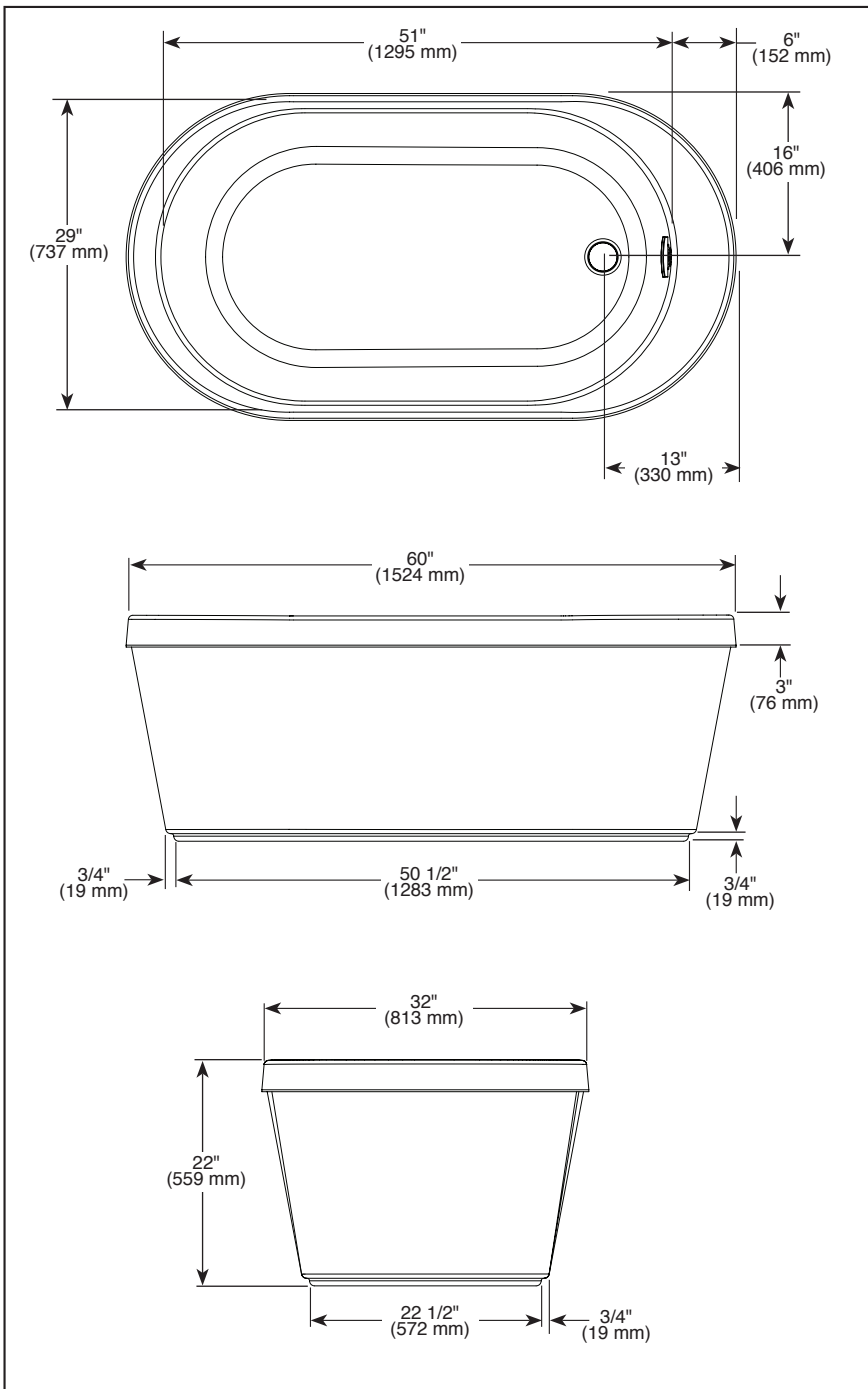
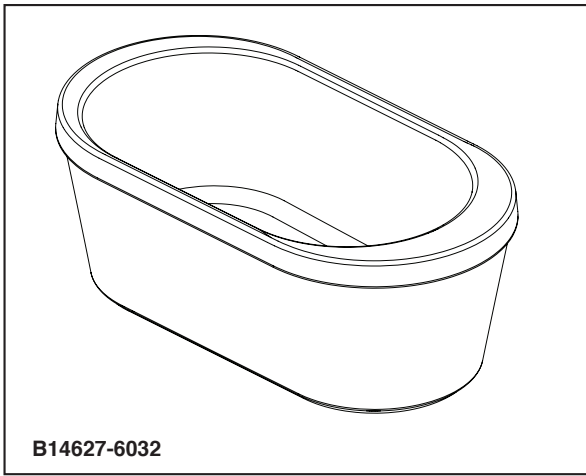
- Vacuum formed acrylic reinforced with fiberglass
- Scratch, stain and fade resistant high gloss finish
- Installation friendly two piece design
- Accepts deck mounted faucet
- Includes integral pop-up drain and slotted overflow with cover
- Average weight: 105 lbs (48 kg)
- Bathing well at bottom: 43" x 20" (1092 mm x 508 mm)
- Capacity drain to overflow: 52 gallons (195 litres)
- Water depth drain to overflow: 16" (406 mm)
- Drain opening: 2" dia. (51 mm)
- Drain to floor clearance: 3 1/4" (83 mm)

### WARRANTY

- 10 year warranty residential, 1 year commercial

### COMPLIES WITH:

- CSA B45.5/IAPMO Z124



### Delta Faucet Company

55 E. 111th Street, Indianapolis, Indiana 46280  
350 South Edgeware Road, St. Thomas, ON N5P 4L1  
© 2018 Delta Faucet Company