



WE ARE IB

Collection

DR. JECKYLL

Article

DJ350

Description

Wall mounted shower mixer with shower kit.

Box Dimensions

370x270x80 mm

Weight

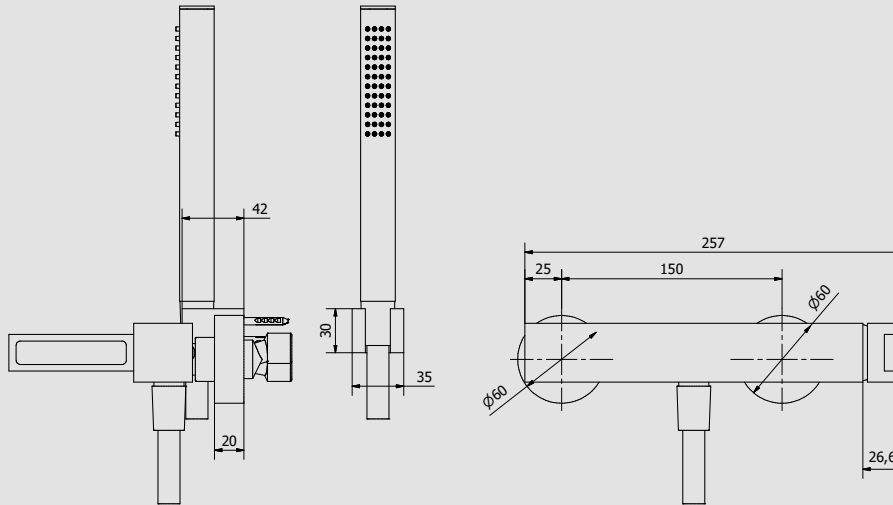
4.2 kg

Finishes

- **CC**
CHROME
- **PL**
PLATINUM
- **SS**
BRUSHED
NICKEL
- **ON**
NATURAL
BRASS
- **BO**
MATT
WHITE
- **NP**
MATT
BLACK
- **CF**
BLACK
CHROME
- **CS**
BRUSHED
BLACK
CHROME
- **II**
PALE
GOLD
- **IS**
BRUSHED
PALE GOLD
- **RS**
ROSE
GOLD
- **SR**
BRUSHED
ROSE GOLD
- **OO**
GOLD
- **OS**
BRUSHED
GOLD
- **RR**
ANTIQUÉ
COPPER
- **BB**
ANTIQUÉ
BRONZE



Dimensions



Cartridge

Ceramic cartridge Ø35

Hoses

Chromalux hose L150

Aerator

-

Flow Rate (+/-10%)

1 BAR	2 BAR	3 BAR
12 l/m	17 l/m	22 l/m

Production

Main body is a machined from a solid pieces

Material

BRASS
According to CuZn39Pb3 (CW614N)
Max lead content: 2.5%

IB RUBINETTERIE s.p.a
via dei Pianotti 3/5
25068 Sarezzo (BS) - Italy -

T. +39 030 802101
F. +39 030 803097
info@weareib.it

P.IVA 01785230986
capitale sociale
€420.000,00 i.v.

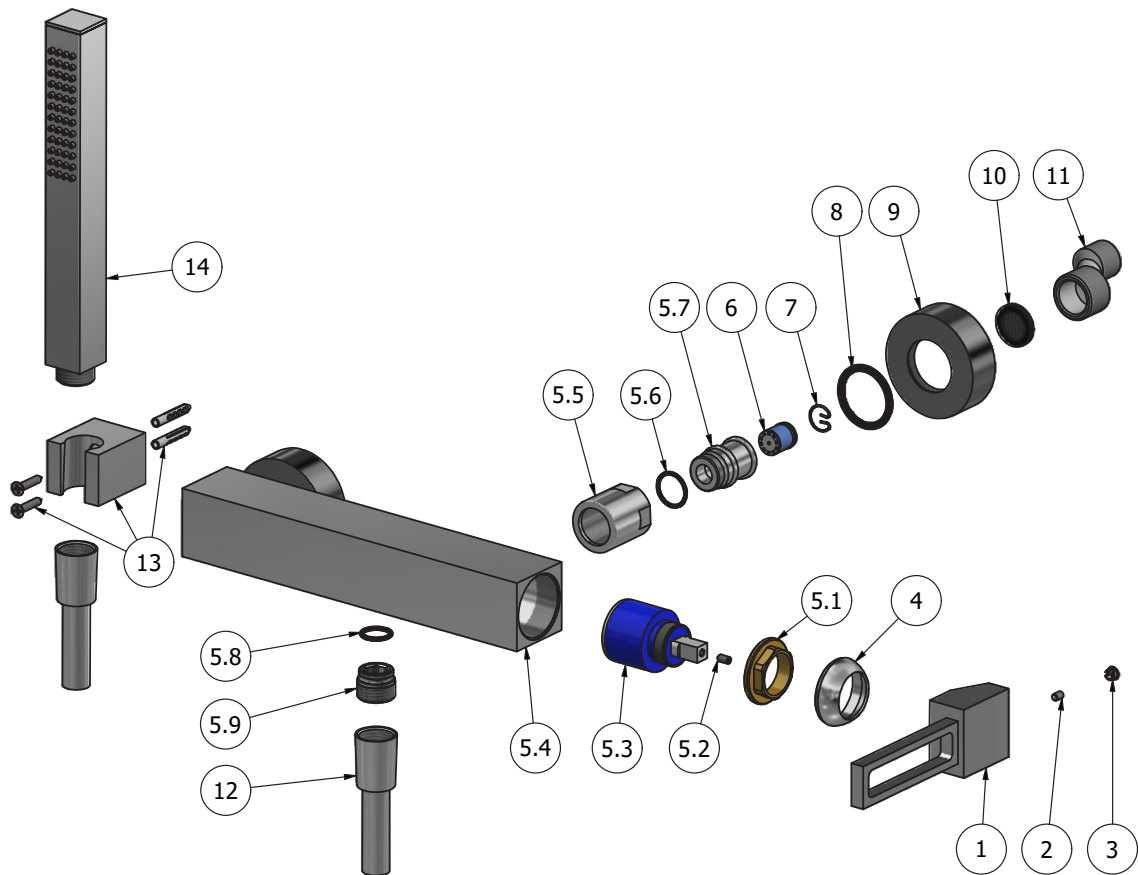
www.weareib.it





WE ARE IB

Elenco parti			
ELEM.	CODICE	NUMERO DI MAGAZZINO	QTÀ
1	AQ0012245	Handle zamak	1
2	AQ0001081	Pin M4x6	1
3	AQ0006650	Plug cover Ø7	1
4	AQ0012068	Chromed cover nut Ø38,2 M37x1,5	1
5	CPKDJ350CCX01	Preassembled external shower	1
5.1	AQ0001040	Cartridge ring nut M37x1.5 H9	1
5.2	AQ0006649	Pin M4x8	1
5.3	AQ0004095	Ceramic cartridge Ø35 Wout/D K 35 A	1
5.4	AC0011206	Shower square moxer body 40x40	1
5.5	AC0009990	Nut 3/4"G	2
5.6	AQ0004630	OR 17.16x1.78 NBR 70 SH	2
5.7	AC0010253	Seal 20X1 W/seat for valve	2
5.8	AQ0001390	OR 14x2 NBR 70 SH	1
5.9	AC0001250	Shower connection piece 1/2" 19x1	1
6	AQ0009090	Not return valve Ø14 (31.4114.00001)	2
7	AQ0009678	Elastic ring AISI 302	2
8	AQ0009368	OR 29.75x3.53 NBR 70 SH	2
9	AC0010020	Sliding rosette	2
10	AQ0010373	Rubber packing 3/4" H3 with filter	2
11	AQ0010185	Eccentric H41 NPT	2
12	AQ0010066	Eccentric H.36	1
13	AQ0012209	Shower support square ABS	1
14	AQ0013639	Square hand shower OnAir	1





WARRANTY

All IB Rubinetterie SpA products are warranted for 10 years from the date of purchase, for the following cases:

- Defects of casting, porosity and chrome plating.
- Operating defects caused by incorrect fabrication.

The warranty provides for repair or replacement of products with fabrication defects recognized by our technical office. There is no other type of compensation anche the merchandise must be returned FOB our warehouse. The warranty only cover surface defects (scatches, dings, etc.) on fitting that have not been installed and used, returned in its original packaging with all components. O-ring, gasket seals and components subject to wear proportional to use are warranted for 2 years.

The warranty is void in the following cases:

Error installing and putting the product into service.

Deterioration of finished surfaces due to use of cleaning products containing acids or abrasive substances. Deterioration of surface with finishes other than chrome plating. Their durability is, in fact, dependent on the user's care and gentleness of use.

Deterioration of the fitting due incorrect installation.

Improper repairs and maintenance performed without the company's prior authorization.

The warranty from IB Rubinetterie SpA is not renewable.

Cleaning

We recommended cleaning the finish surfaces with water and soap, using a soft cloth.

Do not use detergents that contain hydrochloric acid or abrasive substances.

