



IB RUBINETTI

Collection

TWITTER

Article

TW399

Description

Free-standing bath filler

Built-in body to be purchased separately INC399XXN_19

Box Dimensions

1100 x 395 x 150 mm

Weight

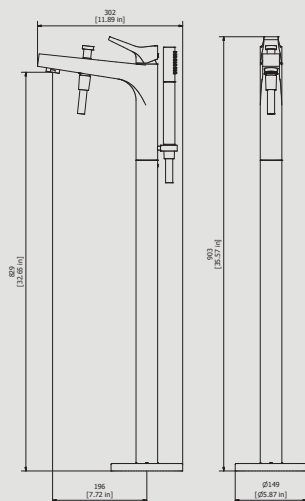
11.6 kg

Finishes

- **CC** CHROME
- **CF** BLACK CHROME
- **OO** GOLD
- **BB** ANTIQUE BRONZE
- **SS** BRUSHED NICKEL
- **CS** BRUSHED BLACK CHROME
- **BO** MATT WHITE
- **NP** MATT BLACK
- **IS** BRUSHED PALE GOLD
- **OS** BRUSHED GOLD
- **II** PALE GOLD
- **RR** ANTIQUE COPPER
- **RS** ROSE GOLD
- **ON** NATURAL BRASS
- **SR** BRUSHED ROSE GOLD
- **PL** PLATINUM



Dimensions



Cartridge

Ø35 ceramic cartridge

Threaded fitting

Aerator

M28x1

Flow Rate (+/-10%)

1 BAR	2 BAR	3 BAR
13.6 l/min	19.6 l/min	24 l/min

Production

Main body is a single casted pieces

Material

BRASS
According to CuZn35Pb2Al-B (CB752S)
Max Lead content: 1.36%

IB RUBINETTERIE s.p.a
via dei Pianotti 3/5
25068 Sarezzo (BS) - Italy -

T. +39 030 802101
F. +39 030 803097
info@ibrubinetterie.it

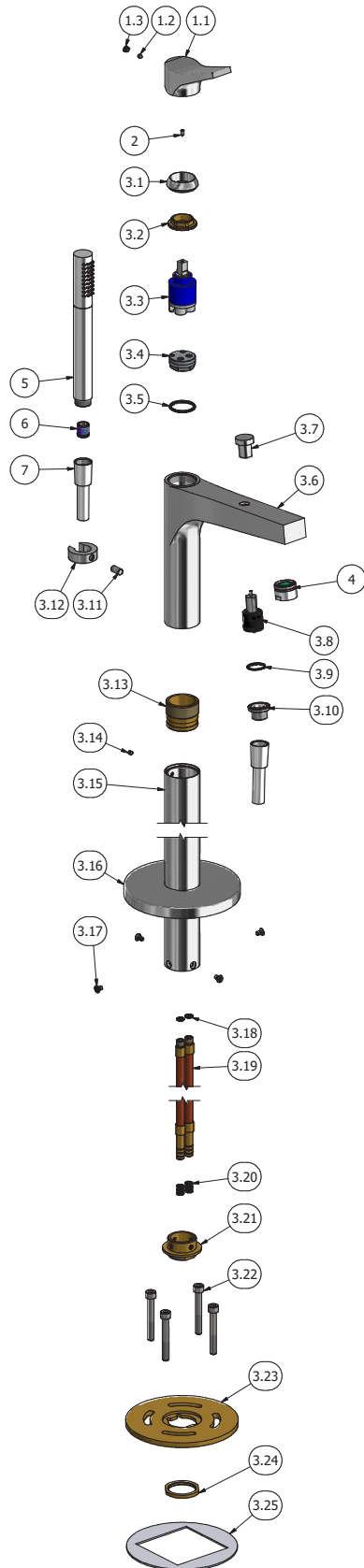
P.IVA 01785230986
capitale sociale
€420.000,00 i.v.

WWW.IBRUBINETTI.IT





IB RUBINETTI



Parts list			
ELEM	CODE	DESCRIPTION	QT
1	AQ0013641	Handle Ø45 H36 L102.5 with inox plug and plug	1
1.1	AQ0013641	Handle Ø45 H36 L102.5	1
1.2	AQ0009729	Grubscrew M5x5 cone point	1
1.3	AQ0006650	Plug cover Ø7	1
2	AQ0006649	Grubscrew M4x8 cone point	1
3	CPTW399C C_19	Preassembled bath mixer to floor	1
3.1	AC0010066	Nut cover M37x1.5 Ø40.3 H13	1
3.2	AQ0001040	Cartridge ring nut M37x1.5 H9	1
3.3	AQ0004075	Ceramic cartridge Ø35	1
3.4	AC0010888	Connection piece Ø33.45 H15	1
3.5	AQ0006585	OR 28.25x2.62 NBR 70 SH	1
3.6	CT0002010	Bath mixer to loor body Ø45 H200	1
3.7	AC0011838	Diverter's knob Ø23 Ø16 H25	1
3.8	AQ0010074	Devi diverter	1
3.9	AQ0001400	OR 20.35x1.78 NBR 70 SH	1
3.10	AC0010063	Nut for diverter M28x1	1
3.11	AC0011435	Rod M8x1 H15	1
3.12	AC0010597	Shower support	1
3.13	AS0012699	Insert M42x1.5 Ø40 L35	1
3.14	AQ0009541	Grubscrew M5x4 flat point	1
3.15	AC0015995	Pipe Ø45 L640	1
3.16	AQ0015156	Round carter Ø149 Ø45.5 H15.5	1
3.17	AQ0013722	Inox screw M5x8 countersunk head	4
3.18	AQ0001330	OR 6.75x1.78 NBR 70 SH	2
3.19	AS0012627	Copper pipe M10x1 L836.5	2
3.20	AQ0012025	OR 6.35x1.78 NBR 70 SH	6
3.21	AS0015999	Insert Ø50 M36x1 H25	1
3.22	AQ0016200	Inox screw TCEI M8x60 DIN912	4
3.23	AS0015991	Flange Ø144 H6.5	1
3.24	AS0013152	Nut Ø45 M36x1 H4	1
3.25	AQ0015889	Rubber packing double-sided Ø142 H2	1
4	AQ0009068	Neostrahl LP flow straightener - TF size (01.455.00001)	1
5	AQ0013557	Onair hand shower	1
6	AQ0008576	No return valve Ø15 (31.4015.00001)	1
7	AQ0010066	Chromalux hose L150	1

WARRANTY

All IB Rubinetterie SpA products are warranted for 10 years from the date of purchase, for the following cases:

- Defects of casting, porosity and chrome plating.
- Operating defects caused by incorrect fabrication.

The warranty provides for repair or replacement of products with fabrication defects recognized by our technical office. There is no other type of compensation anche the merchandise must be returned FOB our warehouse. The warranty only cover surface defects (scatches, dings, etc.) on fitting that have not been installed and used, returned in its original packaging with all components. O-ring, gasket seals and components subject to wear proportional to use are warranted for 2 years.

The warranty is void in the following cases:

Error installing and putting the product into service.

Deterioration of finisched surfaces due to use of cleaning products containing acids or abrasive substances. Deterioration of surface with finishes other than chrome plating. Their durability is, in fact, dependent on the user's care and gentleness of use.

Deterioration of the fitting due incorrect installation.

Improper repairs and maintenance performed without the company's prior authorization.

The warranty from IB Rubinetterie SpA is not renewable.

Cleaning

We recommended cleaning the finish surfaces with water and soap, using a soft cloth.

Do not use detergents that cointain hydrochloric acid or abrasive substances.

