

FUSSION CHOME- 3 drawers - 600 / 700 / 800 / 900 / 1000 / 1200 (2x600)

Materials

- **Front Panels (Thickness = 16mm):**
 - Gloss white, Gloss grey, Gloss taupe: lacquered particle board lacquered with high gloss polyester UV paint.
 - Sbiancato, Alsacia, Natural, Bay Pine laminated particle board. Edging design "Testa"
- **Side Panels (Thickness = 16 mm):**
 - Gloss white, Gloss grey, Gloss taupe: lacquered particle board lacquered with high gloss polyester UV paint.
 - Sbiancato, Alsacia, Natural, Bay Pine laminated particle board. Edging design "Testa"
- **Internal Structure panels (Thickness = 16mm):** : laminated particle board.
- **Drawers:** : Exclusive design "Carbon-TX" wood drawer. Hidden guides of high range of extraction plus and amortiguado closing with regulation in height. Max. Load capacity 25 Kg.

* All panels used in the manufacture of this unit are classed as E-1 grade with low level of formaldehyde content.

*Edges according to design: PVC, ABS. (edged with PUR glue)

Metal Fittings

- **Necessary legs (not included):** Made of 100 mm high ABS in 3 finishes: glossy white, glossy black and glossy chrome.
- **Necessary handles (not included):** aluminum handle with the possibility of 3 finishes: Matte White, Glossy Chrome and Matte Black.
- **Brackets:** The furniture includes 2 metal brackets for wall mounting.

Packaging Dimensions and weight (mm)

	600	700	800	900	1000
Lenght mm.	645	745	845	945	1045
Depth mm	500	510	495	510	495
Height mm.	835	830	835	830	835
Net weight Kg.	25,9	28,7	31,5	33,7	35,9
Gross weight kg	28,46	31,36	34,26	36,66	39,6

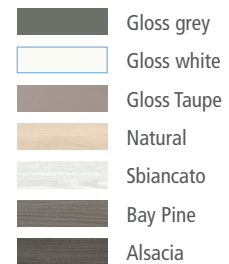


Drawer interior orga-nizers

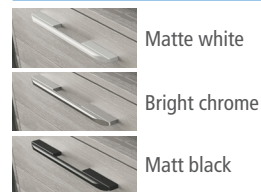
Interior drawer finishes



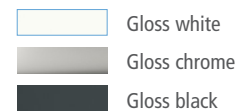
Vanity finishes



Handle finishes.



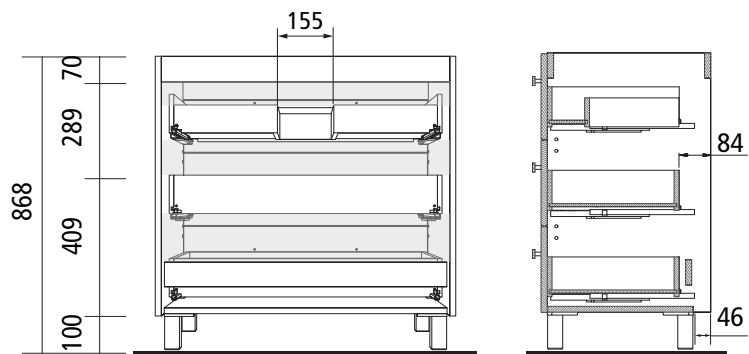
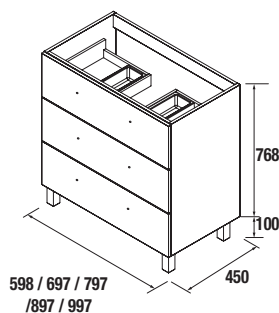
Leg finishes



Basins available

- 600: Iberia, Veneto, Toscana; 800: Iberia, Veneto, Toscana, Sofia ; 1000: Iberia, Veneto, Toscana, Sofia; 1200: Iberia, Veneto, Toscana, Sofia.

Dimensional sketch and free space for water pipe



The 1196mm model is made up of 2 furniture of 598mm.