



WE ARE IB

Collection

BARK

Article

BK200

Description

Washbasin mixer complete of automatic pop-up

Box Dimensions

340x180x70 mm

Weight

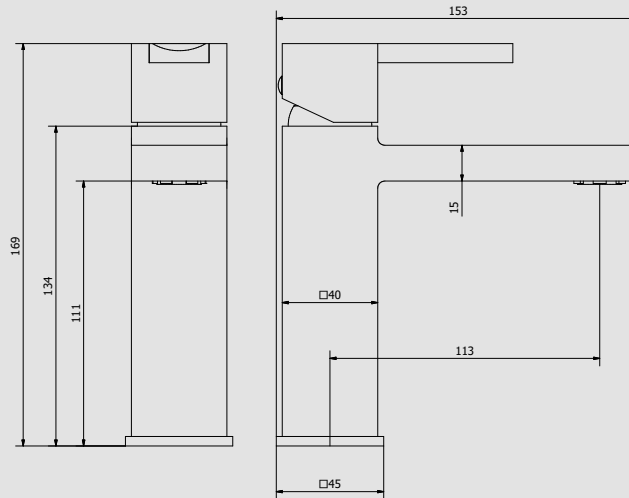
2.2 kg

Finishes

- **CC** CHROME
- **PL** PLATINUM
- **SS** BRUSHED NICKEL
- **ON** NATURAL BRASS
- **BO** MATT WHITE
- **NP** MATT BLACK
- **CF** BLACK CHROME
- **CS** BRUSHED BLACK CHROME
- **II** PALE GOLD
- **IS** BRUSHED PALE GOLD
- **RS** ROSE GOLD
- **SR** BRUSHED ROSE GOLD
- **OO** GOLD
- **OS** BRUSHED GOLD
- **RR** ANTIQUE COPPER
- **BB** ANTIQUE BRONZE



Dimensions



Cartridge

IB 25 mms Ceramics Discs Cartridge

Threaded fitting

Inox hoses G3\8" female 450 mms long

Aerator

M24x1 perlator

Flow Rate (+/-10%)

1 BAR	2 BAR	3 BAR
7 l\m	9.5 l\m	12 l\m

Production

Main body is a single casted pieces

Material

BRASS
According to CuZn35Pb2Al-B (CB752S)
Max Lead content: 1.36%

IB RUBINETTERIE s.p.a
via dei Pianotti 3/5
25068 Sarezzo (BS) - Italy -

T. +39 030 802101
F. +39 030 803097
info@weareib.it

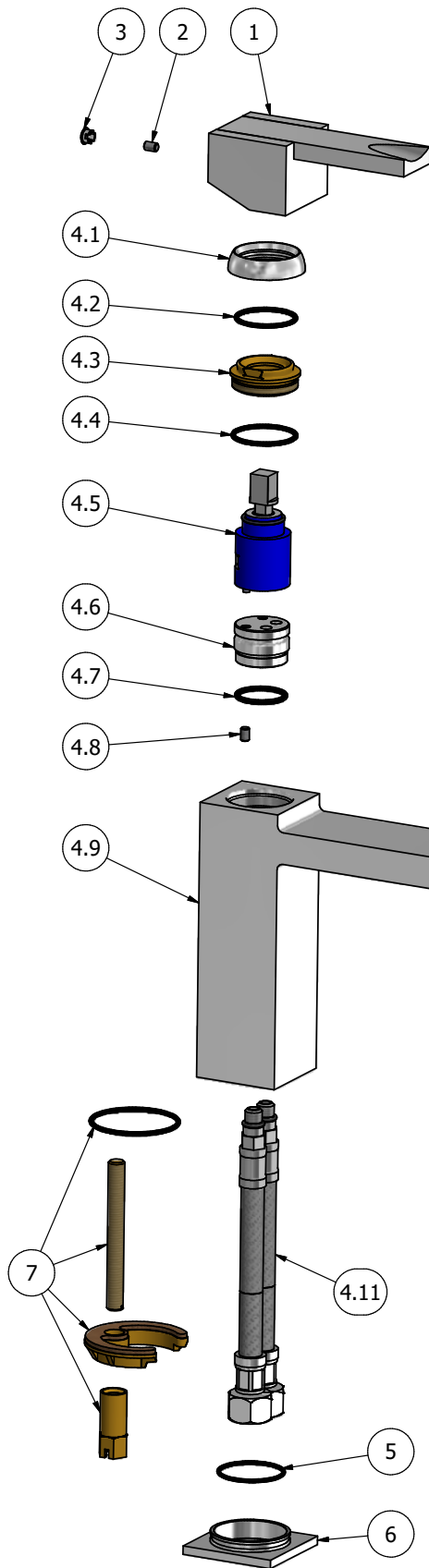
P.IVA 01785230986
capitale sociale
€420.000,00 i.v.

www.weareib.it





WE ARE IB



Elenco parti			
ELEM	CODICE	NUMERO DI MAGAZZINO	QT
1	AQ0013558	Complete square handle 40x40x33 L105	1
2	AQ0001081	Grubscrew M4x6 p.p.	1
3	AQ0006650	Plug cover Ø7	1
4	CPKDJ200C CX14	Preassemble basin mixer	1
4.1	AC0012004	Cartridge fixing nut chromed cover	1
4.2	AQ0006586	OR 25.12x1.78 NBR 70 SH	1
4.3	AS0011182	Fixing nut M30x1 H17	1
4.4	AQ0010564	OR 26.7x1.78 NBR 70 SH	1
4.5	AQ0013098	Cartridge K25 OP S	1
4.6	AC0011859	Connection piece Ø24.9X17.5	1
4.7	AQ0013635	OR 20x2 NBR 70 SH	1
4.8	AQ0001081	Grubscrew M4x6 p.p.	1
4.9	AQ0013800	Basin mixer 40x40 H130 L150	1
4.10	AQ0012140	Aerator NP slim M24x1 (01.5511.0)	1
4.11	AQ0011013	Flex inox M8x1 G3/8" L450	2
5	AQ0008091	OR 28x1.5 NBR 70 SH	1
6	AC0011343	Basin base 45x45x8,5	1
7	AQ0010505	Fixing set	1
8	AQ0009837	Simple rapid waste 1"1/4	1



WARRANTY

All IB Rubinetterie SpA products are warranted for 10 years from the date of purchase, for the following cases:

- Defects of casting, porosity and chrome plating.
- Operating defects caused by incorrect fabrication.

The warranty provides for repair or replacement of products with fabrication defects recognized by our technical office. There is no other type of compensation anche the merchandise must be returned FOB our warehouse. The warranty only cover surface defects (scatches, dings, etc.) on fitting that have not been installed and used, returned in its original packaging with all components. O-ring, gasket seals and components subject to wear proportional to use are warranted for 2 years.

The warranty is void in the following cases:

Error installing and putting the product into service.

Deterioration of finished surfaces due to use of cleaning products containing acids or abrasive substances. Deterioration of surface with finishes other than chrome plating. Their durability is, in fact, dependent on the user's care and gentleness of use.

Deterioration of the fitting due incorrect installation.

Improper repairs and maintenance performed without the company's prior authorization.

The warranty from IB Rubinetterie SpA is not renewable.

Cleaning

We recommended cleaning the finish surfaces with water and soap, using a soft cloth.

Do not use detergents that contain hydrochloric acid or abrasive substances.

