

36 608 980



- rosette 60 x 60 mm
- head part with cut-to-length spindle and sleeve

	Brushed Chrome	36 608 980-93
	Chrome	36 608 980-00
	Brushed Platinum	36 608 980-06
	Platinum	36 608 980-08
	Dark Chrome	36 608 980-19
	Brushed Light Gold	36 608 980-27
	Brushed Durabronze (23kt Gold)	36 608 980-28
	Matte Black	36 608 980-33
	Brushed Dark Platinum	36 608 980-99

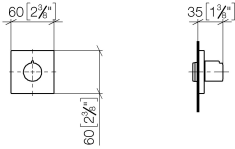


IMO Wall valve anti-clockwise closing 3/4" - Brushed Chrome

IMO

36 608 980

mm [inches]



Codes & Standards

ASME A112.18.1

cUPC

Scottish Water
Byelaws

UK Water Supply
Regulations

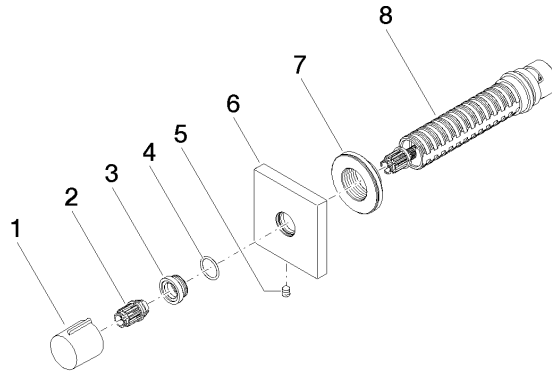
Certificates

WRAS_2010

IAPMO_4976

36 608 980

Parts for other
finishes can be found
here: [Chrome](#)





IMO Wall valve anti-clockwise closing 3/4" - Brushed Chrome

IMO

36 608 980

Spare parts list