



see what Delta can do™

TUB AND SHOWER FAUCET TRIM

- Addison™ Bath Collection
- Valve Only (T17092 Series)
- Shower Only (T17292 Series)
- Tub/Shower (T17492 Series)

FEATURES:

- Monitor® 17 Series pressure balanced bath mixing valve trim
- H₂Okinetic® Technology showerhead.

STANDARD SPECIFICATIONS:

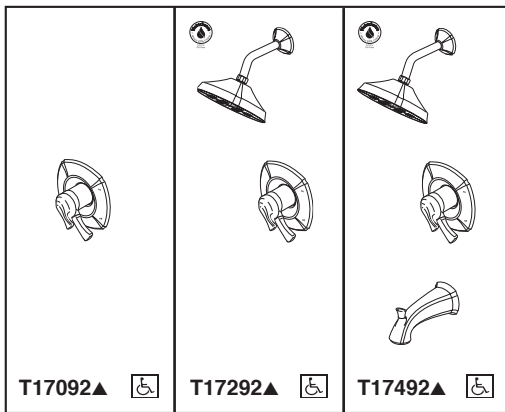
- Maintains a balanced pressure of hot and cold water even when a valve is turned on or off elsewhere in the system.
- For use with MultiChoice® Universal rough valve body. (R10000 Series)
- Back-to-back installation capability.
- Solid brass forged body.
- Lever volume control handle; temperature adjustment dial.
- Field adjustable to limit handle rotation into hot water zone.
- Maximum dial rotation adjustable between 90° and 180°.
- All parts replaceable from the front of the valve.
- Maximum 1.75 gpm max @ 80 psi, 6.6 L/min @ 550 kPa.
- Stem extension kit RP77992 can be ordered to allow for an additional 1 3/4" wall thickness. RP77992 ships with chrome escutcheon screws. For special finishes also order RP12630 escutcheon screws in desired finish.

WARRANTY

- Lifetime limited warranty on parts (other than electronic parts and batteries) and finishes; or, for commercial users, for 5 years from date of purchase.
 - 5 year limited warranty on electronic parts (other than batteries); or, for commercial users, for 1 year from the date of purchase.
- No warranty is provided on batteries.

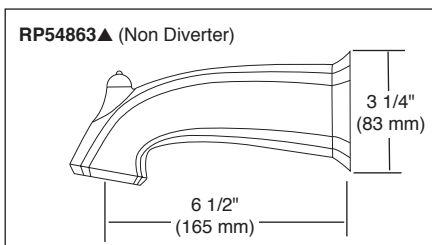
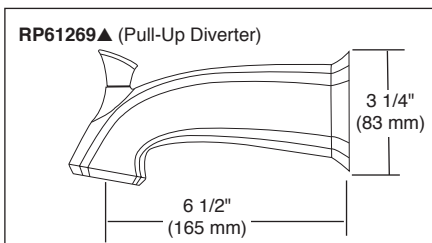
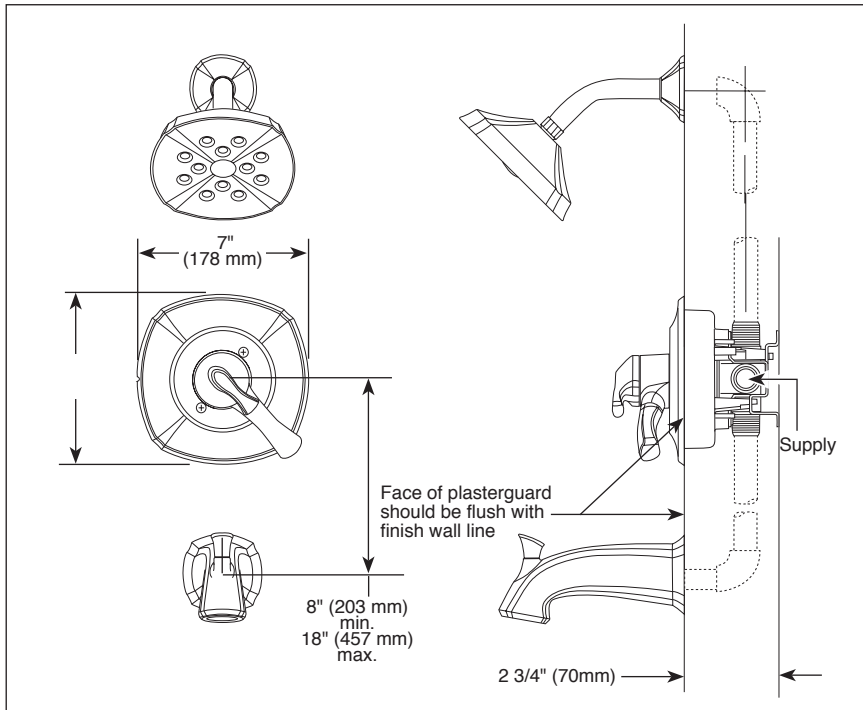
COMPLIES WITH:

- ASME A112.18.1 / CSA B125.1
- ASSE 1016
- Indicates compliance to ICC/ANSI A117.1 - Valve control only
- EPA WaterSense®



Submitted Model No.: _____

Specific Features: _____



▲ Designate Proper Finish Suffix

