

### Features

- Single-speed whirlpool offers performance and value, with 6 fully adjustable jets.
- Hydromassage flow and direction can be controlled at each jet.
- Decked oval shape creates a graceful and spacious bathing experience.
- Molded lumbar support and armrests offer extra comfort while bathing.
- Integral flange helps prevent water from seeping behind wall and simplifies alcove installation.
- Multiple pump location options give you more choices for installation and access. (See specification sheet for pump locations.)
- End drain.

### Material

- Acrylic.

### Hydrotherapy

- Whirlpool.

### Installation

- Drop-in.

### Recommended Products/Accessories

K-7166-AF Bath Drain  
K-11677 Bath Drain  
K-24916 Wireless Music Kit  
K-23726 Drain treatment  
K-23732 Tub & shower cleaner



### Codes/Standards

ASME A112.19.7/CSA B45.10  
CSA B45.5/IAPMO Z124  
ASTM E162  
ASTM E662  
UL 1795




**KOHLER® Plastic Baths and Receptors  
Lifetime Limited Warranty  
KOHLER® Hydrotherapy Components  
Five-Year Limited Warranty**

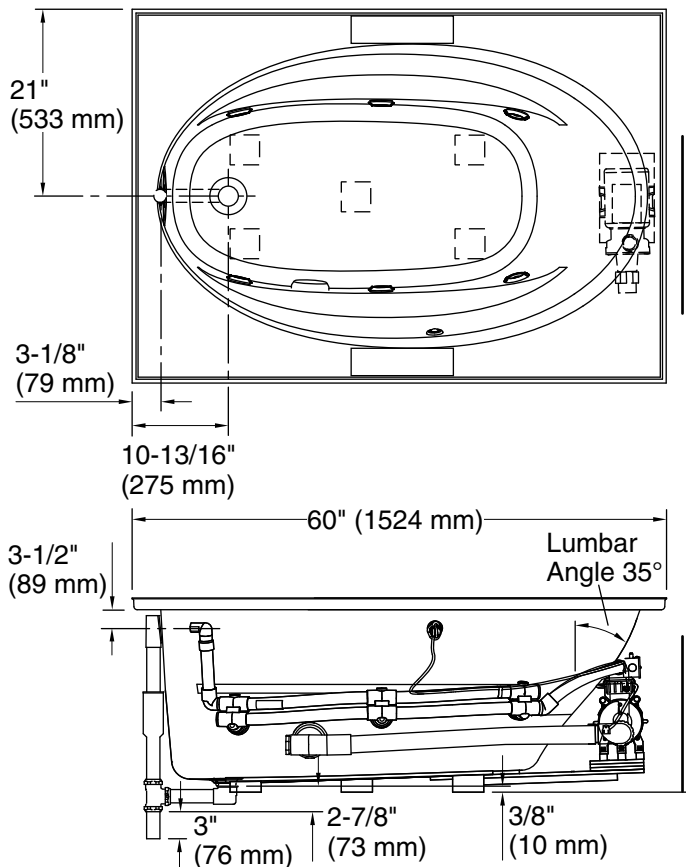
See website for detailed warranty information.

### Available Colors/Finishes

*Color tiles intended for reference only.*

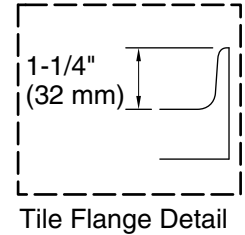
#### Color Code Description

	0	White
	96	Biscuit
	47	Almond

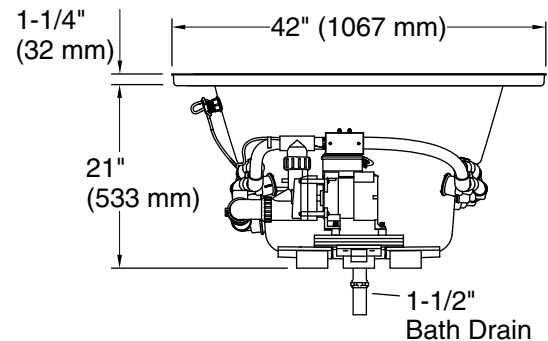


No change in measurements if connected with drain illustrated. (K-11677)

□ Recommended Faucet Location



Pump/Control Access  
20" (508 mm) W x  
15" (381 mm) H Min



### Required Electrical Service

One dedicated circuit required, protected with Class A Ground-Fault Circuit-Interrupter (GFCI). Outside North America, this device may be known as a Residual Current Device (RCD).

Pump: 120 V, 15 A, 60 Hz

### Technical Information

All product dimensions are nominal.

- Installation: Under-mount, Drop-in, Three-wall alcove
- Drain location: End
- Basin area, bottom: 43" x 20-1/2" (1092 mm x 521 mm)
- Basin area, top: 53-1/2" x 32-1/8" (1359 mm x 816 mm)
- Weight: 110 lbs (49.9 kg)
- Minimum floor load: 35 lbs/ft² (170.9 kg/m²)
- Water depth: 15" (381 mm)
- Water capacity: 57 gal (215.8 L)
- Electrical component rating: Pump: 120 V, 7.5 A, 60 Hz
- Pump speed: Single
- Minimum flat for door: 3-1/4" (83 mm)

### Notes

Measure your actual product for rough-in details. Install this product according to the installation instructions.

The hot water supply should be 70% of the capacity of the bath or greater. Installations will vary.

If installing a rim-mount faucet, make sure there is no interference above or below the deck before drilling any holes.