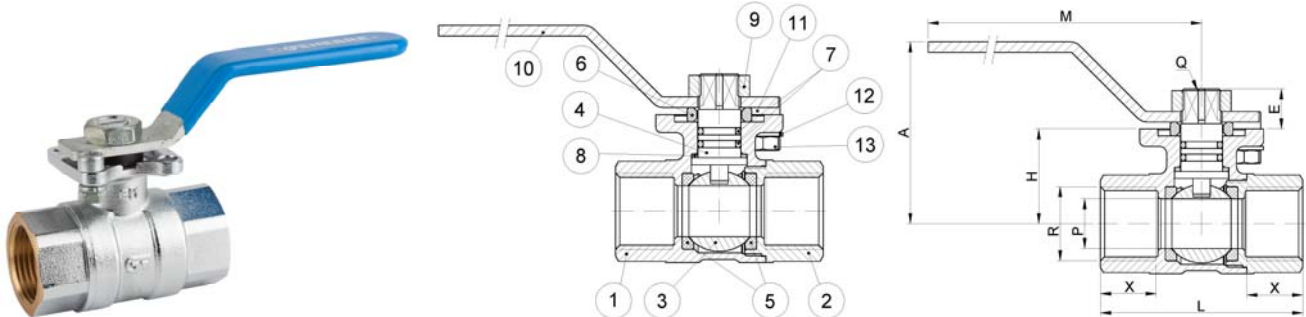


Art.: 3023N

Válvula de esfera para montaje actuador / Ball valve for mounting actuator

| Características | Features |
|---|--|
| 1. Válvula de esfera para montaje con actuador. Paso total. | 1. Ball valve for mount an actuator. Full bore. |
| 2. Construcción en latón s/ UNE-EN 12165 cromado. | 2. Brass according to UNE-EN 12165 chrome plated. |
| 3. Extremos rosca NPT hembra según ANSI / ASME B 1.20.1. | 3. Threaded ends NPT female according to ANSI / ASME B 1.20.1. |
| 4. Accionamiento mediante palanca de acero. | 4. Working by means of steel lever handle. |
| 5. Montaje actuador directo según ISO 5211. | 5. Direct mounting actuator acc/ ISO 5211. |
| 6. Eje inexpulsable. | 6. Blow-out proof stem. |
| 7. Temperatura de trabajo desde -20°C a 110°C. | 7. Working temperature from -20°C to 110°C. |
| 8. Presión máxima de trabajo 40 bar (PN 40). | 8. Maximum working pressure 40 bar (PN 40). |
| 9. Asientos en PTFE. | 9. PTFE seats. |
| 10. Juntas tóricas en EPDM. | 10. EPDM O-rings. |



| Nº | Denominación / Name | Material | Acabado Superficial / Surface Treatment |
|----|------------------------------|------------------------|---|
| 1 | Cuerpo / Body | Latón / Brass (CW617N) | Granallado + Cromado / Peened + Chromed |
| 2 | Tapa / Cap | Latón / Brass (CW617N) | Granallado + Cromado / Peened + Chromed |
| 3 | Esfera / Ball | Latón / Brass (CW617N) | Cromado / Chrome plated |
| 4 | Eje / Stem | Latón / Brass (CW617N) | Cromado / Chrome plated |
| 5 | Asientos / Ball seats | PTFE | - |
| 6 | Anillo nylon / Nylon Ring | Nylon | - |
| 7 | Junta Tórica / O-Ring | EPDM | - |
| 8 | Anillo / Ring | PTFE | - |
| 9 | Tuerca / Nut | Acero / Steel | Zincado / Zinc plated |
| 10 | Maneta / Handle | Acero / Steel | Dacromet |
| 11 | Tornillo Allen / Allen screw | Acero / Steel | Zincado / Zinc plated |
| 12 | Arandela / Grower Washer | Acero / Steel | Zincado / Zinc plated |
| 13 | Tuerca / Nut | Acero / Steel | Zincado / Zinc plated |

| Ref. | Medida / Size R | DN | P | A | Dimensiones / Dimensions (mm) | | | | | □Q | ISO 5211 | Peso / Weight (Kg) |
|----------|-----------------|----|-------|-------|-------------------------------|-----|------|-------|-------|-----|----------|--------------------|
| | | | | | M | L | X | H | E | | | |
| 3023N 04 | 1/2" | 15 | 14,25 | 52 | 103,5 | 58 | 15 | 27 | 11.5 | □9 | F03 | 0,274 |
| 3023N 05 | 3/4" | 20 | 19 | 57 | 103,5 | 65 | 16 | 32 | 11 | □9 | F03 | 0,376 |
| 3023N 06 | 1" | 25 | 23,75 | 60 | 111,5 | 78 | 19.5 | 35 | 11 | □9 | F04 | 0,564 |
| 3023N 07 | 1 1/4" | 32 | 30 | 68,75 | 138,5 | 88 | 19.5 | 43,25 | 13.5 | □11 | F05 | 0,927 |
| 3023N 08 | 1 1/2" | 40 | 37,3 | 74,25 | 138,5 | 105 | 24.6 | 48,75 | 13.5 | □11 | F05 | 1,254 |
| 3023N 09 | 2" | 50 | 46,5 | 85,5 | 138,5 | 122 | 26.5 | 60 | 13.75 | □11 | F05 | 1,886 |

DIAGRAMA PÉRDIDA DE CARGA / HEAD LOSS CHART

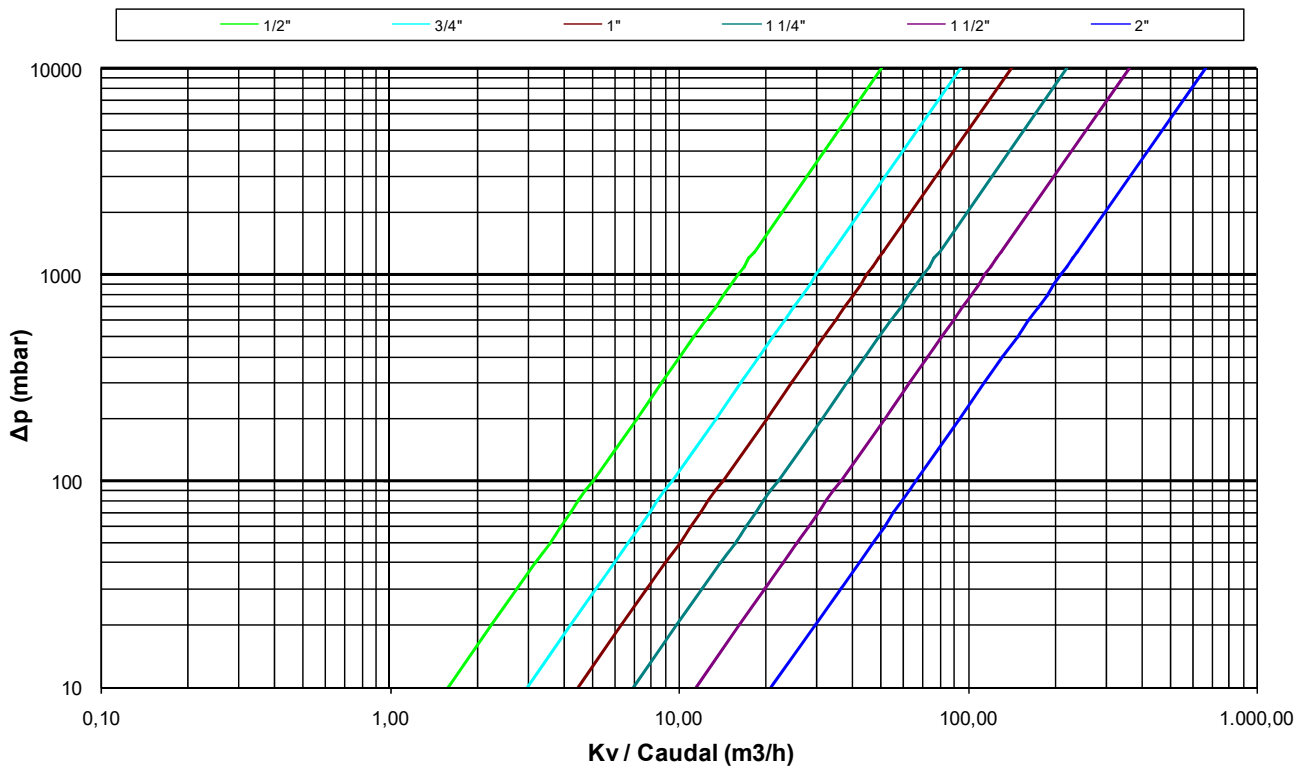
(Válvulas paso total roscadas / Threaded ends full bore ball valves)

Valores de Kv / Kv Values:

Kv = Es la cantidad de metros cúbicos por hora que pasará a través de la válvula generando una pérdida de carga de 1 bar.

Kv = The flow rate of water in cubic meters per hour that will generate a pressure drop of 1 bar across the valve.

| Medida / Size | 1/2" | 3/4" | 1" | 1 1/4" | 1 1/2" | 2" |
|---------------|------|------|----|--------|--------|-----|
| Kv | 16 | 30 | 45 | 70 | 115 | 210 |



CURVA PRESIÓN - TEMPERATURA / PRESSURE - TEMPERATURE RATING

