

built-in

Built-in part 2way thermostatic
W21221CR

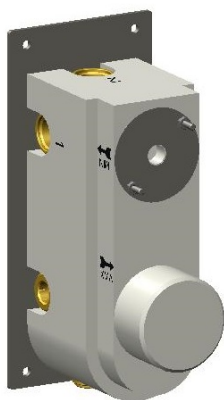
TECHNICAL INFORMATION

Concealed part of 2 ways built-in vertical/horizontal thermostatic mixer. CHROME

Flow rate:

horizontal 2-3way thermostatic

PICTURE



SPARE PARTS



ORIC047
2 vie / ways



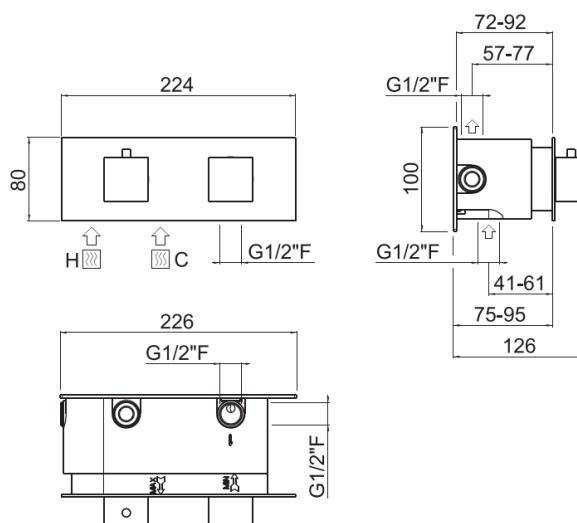
ORIC046
T°

FEATURES



safe built-in

TECHNICAL DRAWING



FINISHINGS

