

Collection

Rubacuori

Article

RU320

Description

Wall mounted spout.

Box Dimensions

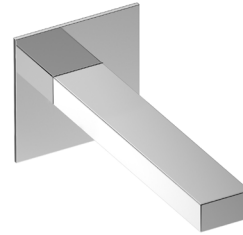
210x130x70 mm

Weight

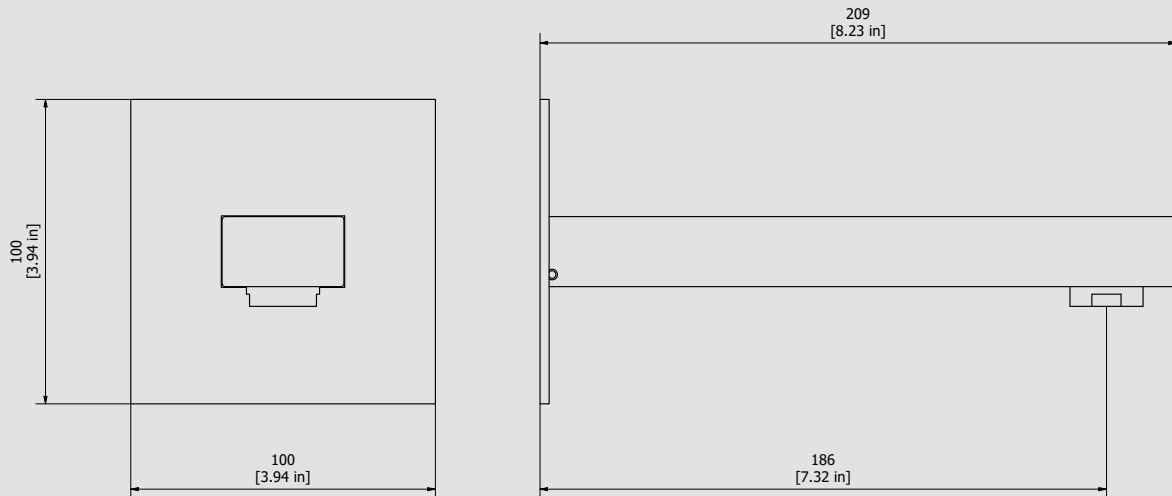
1.1 kg

Finishes

- **CC**
CHROME
- **CF**
BLACK CHROME
- **OO**
GOLD
- **BB**
ANTIQUÉ BRONZE
- **SS**
BRUSHED NICKEL
- **CS**
BRUSHED BLACK CHROME
- **BO**
MATT WHITE
- **NP**
MATT BLACK
- **IS**
BRUSHED PALE GOLD
- **OS**
BRUSHED GOLD
- **II**
PALE GOLD
- **RR**
ANTIQUÉ COPPER
- **RS**
ROSE GOLD
- **ON**
NATURAL BRASS
- **SR**
BRUSHED ROSE GOLD
- **PL**
PLATINUM



Dimensions



Cartridge

Threaded fitting

G1/2" male

Aerator

M24x1

Flow Rate (+/-10%)

**1 BAR
10 l/min**

**2 BAR
14 l/min**

**3 BAR
17 l/min**

Production

Main body is a single hot stamped pieces

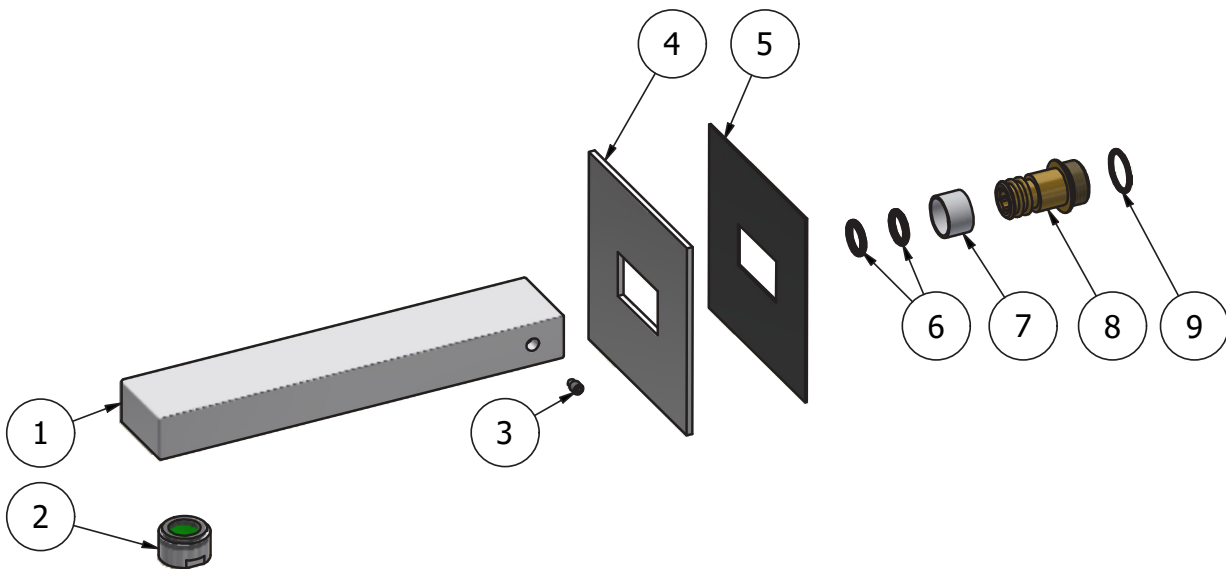
Material

BRASS
According to CuZn42 (CW510L)
Max lead content: 0.2%



WE ARE IB

Elenco parti			
ELEM.	CODICE	NUMERO DI MAGAZZINO	QTÀ
1	AQ0014442	Spout-out 40x23x210	1
2	AQ0000020	Aerator M24 x 1 perlator honeycomb (40200503301)	1
3	AQ0007178	Screw M5x8	1
4	AQ0010159	Plate 100x100x3	1
5	AQ0010192	Rubber packing double-sided tape 98x98x1	1
6	AQ0001360	OR 11.91x2.62 NBR 70 SH	2
7	AQ0010143	Antifriction ring Ø20 H12.5	1
8	AS0012306	Spout-out insert G1/2" H40	1
9	AQ0004630	OR 17.16x1.78 NBR 70 SH	1





WE ARE IB

WARRANTY

All IB Rubinetterie SpA products are warranted for 10 years from the date of purchase, for the following cases:

- Defects of casting, porosity and chrome plating.
- Operating defects caused by incorrect fabrication.

The warranty provides for repair or replacement of products with fabrication defects recognized by our technical office. There is no other type of compensation anche the merchandise must be returned FOB our warehouse. The warranty only cover surface defects (scatches, dings, etc.) on fitting that have not been installed and used, returned in its original packaging with all components. O-ring, gasket seals and components subject to wear proportional to use are warranted for 2 years.

The warranty is void in the following cases:

Error installing and putting the product into service.

Deterioration of finished surfaces due to use of cleaning products containing acids or abrasive substances. Deterioration of surface with finishes other than chrome plating. Their durability is, in fact, dependent on the user's care and gentleness of use.

Deterioration of the fitting due incorrect installation.

Improper repairs and maintenance performed without the company's prior authorization.

The warranty from IB Rubinetterie SpA is not renewable.

Cleaning

We recommended cleaning the finish surfaces with water and soap, using a soft cloth.

Do not use detergents that contain hydrochloric acid or abrasive substances.

