

Colonial

Colonial single thermostatic mixer
21804-CR

TECHNICAL INFORMATION

Single thermostatic mixer. Colonial plate and handle. CHROME

Flow rate:
?

PICTURE



SPARE PARTS



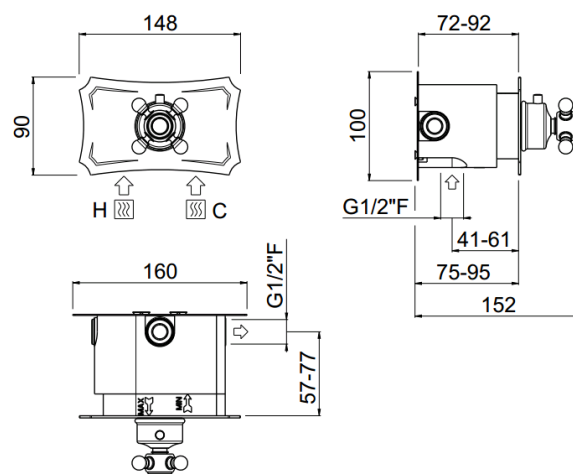
ORIC046
T°

FEATURES



safe built-in

TECHNICAL DRAWING



FINISHINGS

