
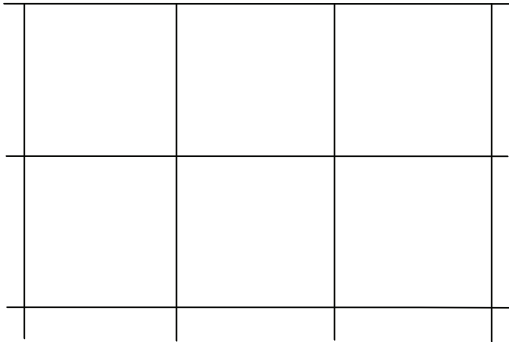
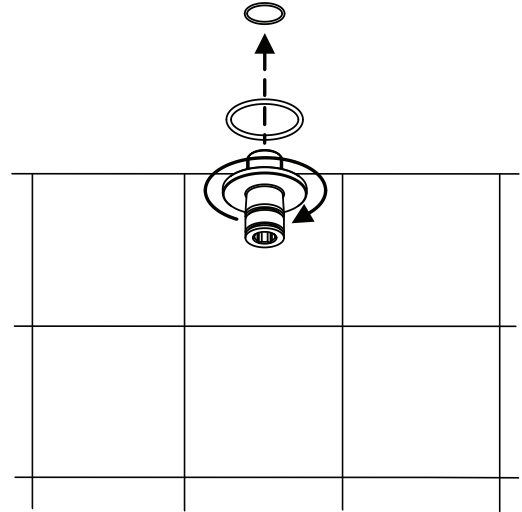


1

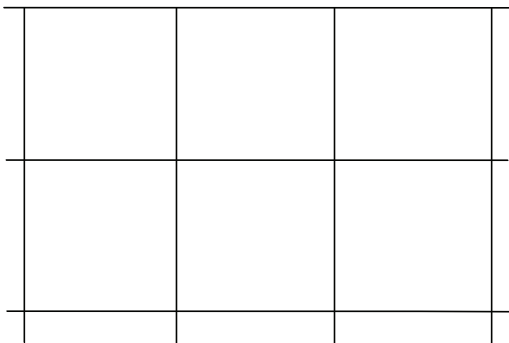
G1/2" 



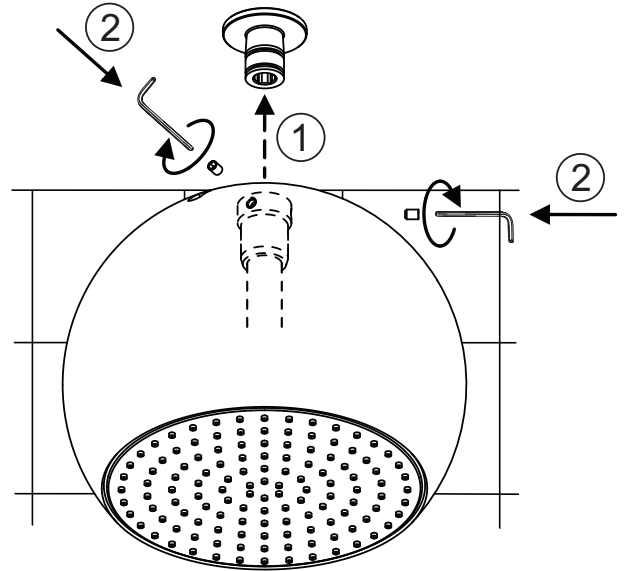
2



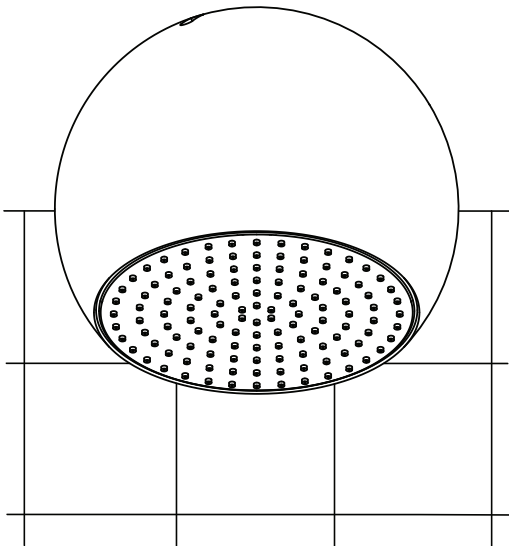
3



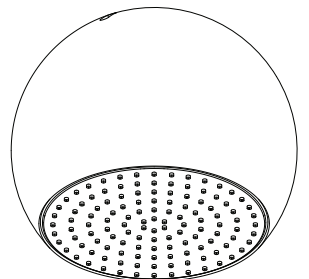
4



5



F2340/1...



fima | AQUA[®]
CODE