

Reference

4230.

Application

Wall Lamps

Installation type

Built-in

Description

ECLIPSE is a wall light that generates a unique lighting effect. Designed by Arik Levy, it is available in two colours: matt white lacquer or gold.

Diffuser

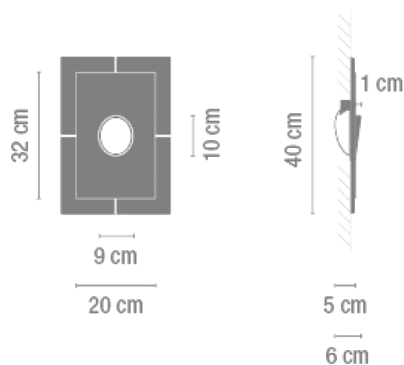
ABS

Finish



4230-03. Matt white lacquer
4230-50. Gold lacquer

Sketch



Electrical characteristics

1 x LED 3W 700mA



Total 3 W



Physical characteristics

1 Box / 0.27 x 0.60 x 0.60 m. / Vol. 0.0972 m³ /
Gross weight 4.3 kg. / Net weight 1.8 kg.

Installation and assembly

Follow instructions of the installation guide

Light distribution

Orientation

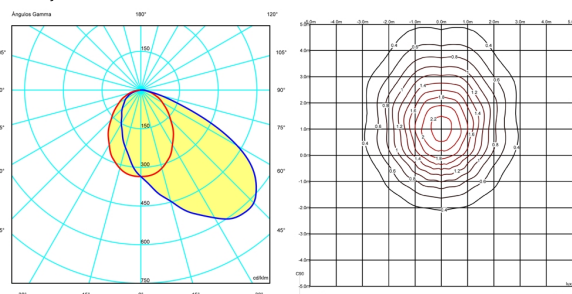
Lamp having a beam powerful enough to define profiles and the surrounding architecture.



Photometric data

Efficiency : 100.00%
Coordinate system : C-G
Total flux : 50.65 lm
Maximum value : 622.37 cd/klm
Light position : C=90.00 G=40.00
Double symmetrical : 4

Isolux : Isolux (suelo)
Light position :
X=0.00m Y=0.00m Z=3.00m
Light rotation :



Certificates

