



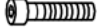

D	∅8		8
C	∅8		8
B	M8x55		8
A	6mm		1
NO.	SIZE	DIAGRAM	QTY

FIG.  
1

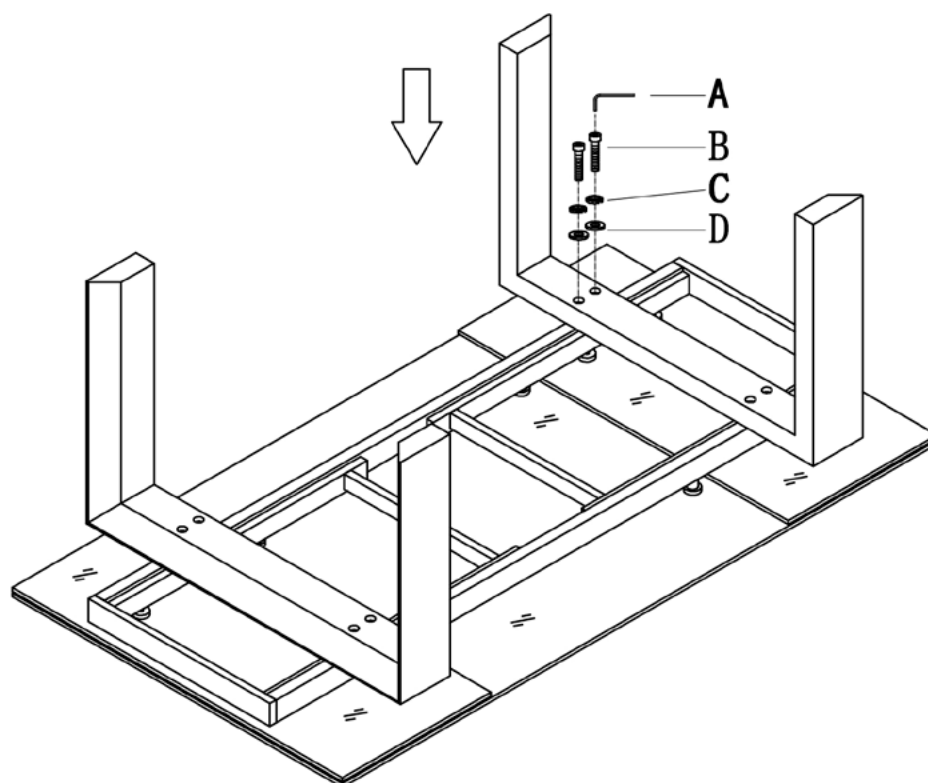


FIG.  
2

