

## Sink S4001 - 3121 060

Sinks

Code: 3121 060



### DETAILS

Finish Foster brushed

---

Material AISI 304 stainless steel

---

Texture Satin

---

Base 30 cm

---

Edge/Installation Type Flush-mount | Top-mount

---

Dimensions 220x450 mm

---

Standard fittings Fixing hooks, gasket, drain, overflow and siphon, boxed packing

---

Mixer holes No standard holes

---

Built-in hole View technical data sheet (for all Flush-mount / Top-mount models and Under-mount models)

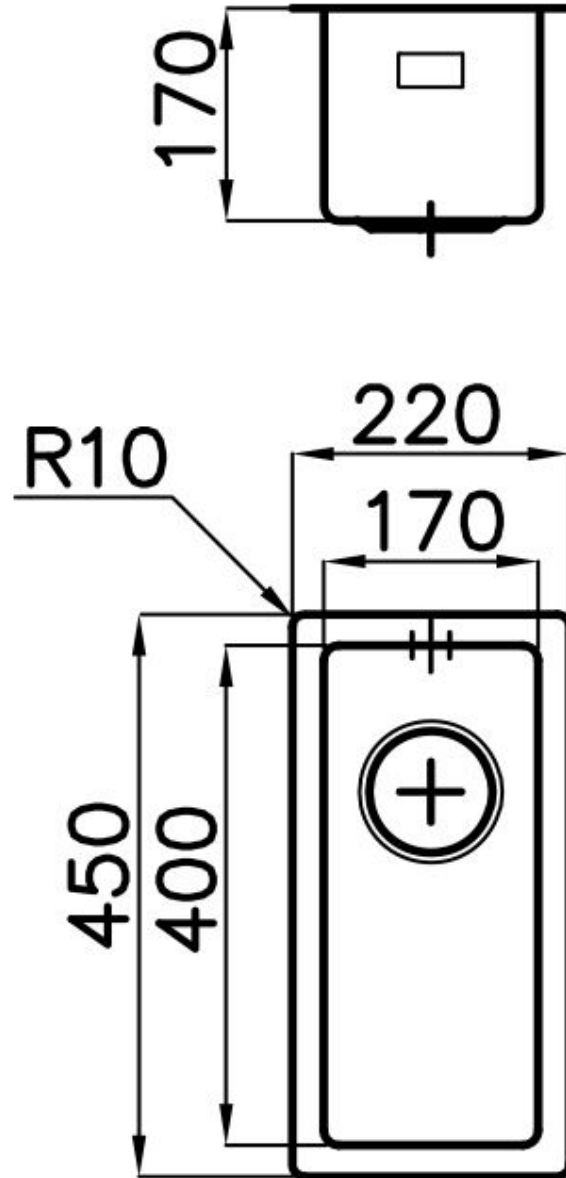
---

Drainer	No
Width	22 cm
Bowl dimension	170x400mm
Number of bowls	1 bowl
Waste fitting	Drain SPACE 3,5"

## FEATURES

High thickness	1mm thick steel. A significant thickness, which guarantees the maximum sturdiness and durability.
Perimetral overflow	The overflow is always a security on the Foster sinks that prevents the overflow of water in case of oversights. The perimeter drain solution improves aesthetics thanks to its square and essential shape.
Save space system	Drain and siphon are designed to leave as much space as possible in the under-sink area, more and more useful today for theseparate waste collection systems.
Small radius	Bowls with squared shapes with a modern design and an increased capacity, for a minimal aesthetics connected with an extreme practicality.
Space waste fitting	The elegant SPACE steel cap closes the drain and leaves no visible residues collected in the basket below. Space also has a small footprint and allows the optimal use of the under-sink compartment.

## TECHNICAL DATA



## OPTIONAL AUTOMATIC WASTE FITTINGS



Automatic waste fitting 8407 113



Space automatic waste fitting  
8407 108



Space automatic waste fitting  
8407 109



Space Light automatic waste  
fitting 8407 117



Space Milano automatic waste  
fitting 8407 115



Space Push automatic waste  
fitting 8407 116