



# Underscore® Rectangle

## 5' BubbleMassage™ Bath

### K-1167-GCRLW

#### Features

- Bask® heated surface creates spa-like relaxation with soothing warmth on your back, shoulders, and neck.
- Three heat settings allow you to customize the surface temperature.
- 122 airjets release thousands of bubbles that surround, support, and massage the body.
- Variable-speed blower lets you adjust massage intensity to 18 levels.
- Zones of Control™ feature allows you to target massage to back, midsection, or feet.
- Chromatherapy lighting allows you to select a preferred color scheme to suit your mood.
- Lighted keypad.
- Molded lumbar support offers extra comfort while bathing.
- Integral flange helps prevent water from seeping behind wall and simplifies alcove installation.
- Slotted overflow allows for deep soaking.
- Immediate and manual purge cycles remove residual water from air channels after use.

#### Material

- Acrylic.

#### Hydrotherapy

- BubbleMassage.
- Chromatherapy.

#### Installation

- Requires K-7271 or K-7272 Clearflo slotted overflow bath drain (sold separately).
- Left drain.
- Alcove.
- Requires 240V hard-wire electrical service.

#### Required Products/Accessories

K-7271 Brass Slotted Overflow Bath Drain

or

K-7272 PVC Slotted Overflow Bath Drain

#### Recommended Products/Accessories

- K-1491 Bath/Whirlpool Pillow
- K-1601 Bath/Whirlpool Footstop
- K-1705 Whirlpool/BubbleMassage™ Remote Control
- K-9498 3" Keypad Trim
- K-24916 Wireless Music Kit
- K-706000-D3 Frameless Sliding Bath Door
- K-706000-L Frameless Sliding Bath Door
- K-706003-L Frameless Sliding Bath Door
- K-706004-D3 Frameless Sliding Bath Door
- K-706004-L Frameless Sliding Bath Door



ADA

#### Codes/Standards








ASME A112.19.7/CSA B45.10  
 CSA B45.5/IAPMO Z124  
 ASTM E162  
 ASTM E662  
 UL 1795  
 CSA C22.2 No. 218.2  
 ADA  
 ICC/ANSI A117.1

**KOHLER® Plastic Baths and Receptors**  
**Lifetime Limited Warranty**  
**KOHLER® Hydrotherapy Components**  
**Five-Year Limited Warranty**

See website for detailed warranty information.

#### Available Colors/Finishes

*Color tiles intended for reference only.*

Color	Code	Description
	0	White
	96	Biscuit
	47	Almond
	NY	Dune
	95	Ice™ Grey
	58	Thunder™ Grey
	7	Black Black™

1-800-4KOHLER (1-800-456-4537)

Kohler Co. reserves the right to make revisions without notice to product specifications.

For the most current Specification Sheet, go to [www.kohler.com](http://www.kohler.com).

3-12-2020 07:29 - US/CA

THE BOLD LOOK  
 OF **KOHLER**®

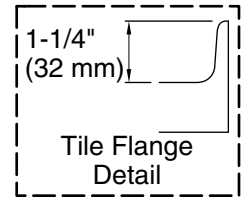
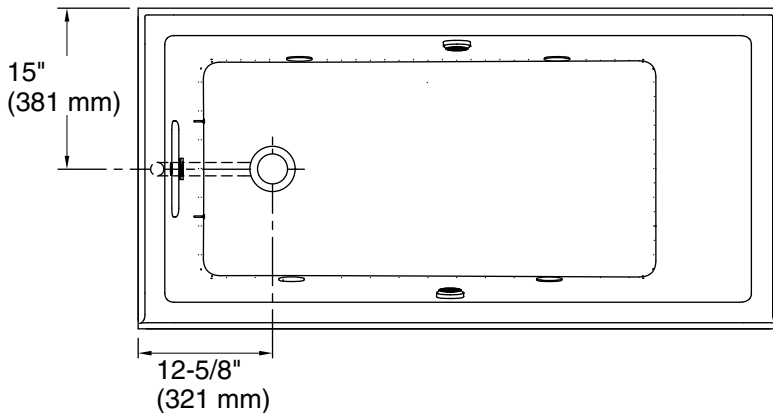


# Underscore® Rectangle

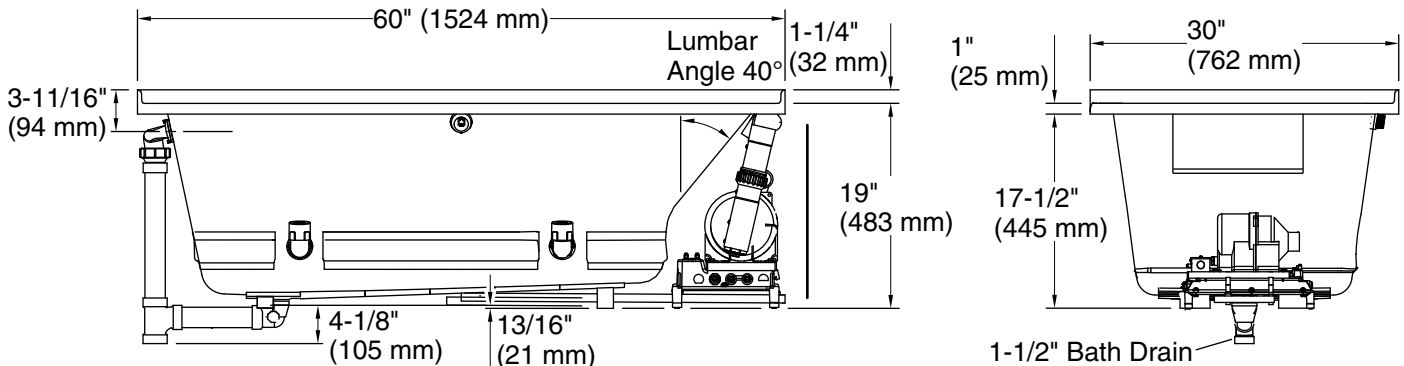
## 5' BubbleMassage™ Bath

### K-1167-GCRLW

No change in measurement if connected with drain illustrated. (K-7272)



Blower Motor/Control Access  
30" (762 mm) W x  
15" (381 mm) H Min



1-1/2" Bath Drain

### Required Electrical Service

One dedicated circuit required, protected with Class A Ground-Fault Circuit-Interrupter (GFCI). Outside North America, this device may be known as a Residual Current Device (RCD).

Blower, Heated      240 V, 15 A, 50/60 Hz  
Surface:

### Technical Information

All product dimensions are nominal.

- Installation:            Three-wall alcove
- Drain location:        Left
- Basin area, bottom:   42-3/8" x 20" (1076 mm x 508 mm)
- Basin area, top:       54-3/8" x 24-5/16" (1381 mm x 618 mm)
- Weight:                106 lbs (48.1 kg)
- Minimum floor load:   44 lbs/ft<sup>2</sup> (214.8 kg/m<sup>2</sup>)
- Water depth:          15-1/16" (383 mm)
- Water capacity:       59.8 gal (226.4 L)
- Electrical component rating:   Blower: 240 V, 5 A, 50/60 Hz  
Heated Surface: 240 V, 0.5 A, 50/60 Hz, 65 W
- Blower speed:        Variable
- Minimum flat for door: 2-1/2" (63 mm)

### Notes

Measure your actual product for rough-in details. Install this product according to the installation instructions.

The hot water supply should be 70% of the capacity of the bath or greater. Installations will vary.

If relocating the blower motor, do not relocate or alter the PVC tee or coiled flexible tubing connected to the blower. Follow the blower relocation instructions exactly. Provide access for servicing the blower.

ADA compliant when installed to the specific requirements of these regulations.