

Collection

## BELMONDO

Article

### BL398

Description

**Five holes wall-mounted bath filler**

Box Dimensions

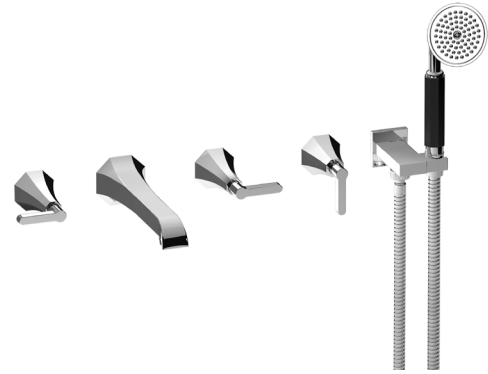
**150 x 190 x 98 mm**

Weight

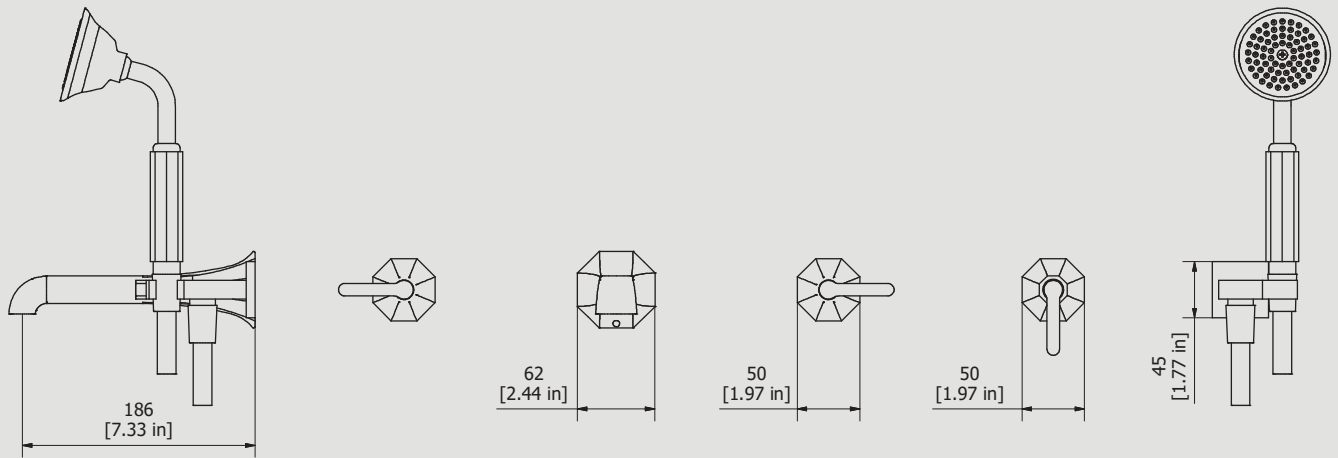
**2.6 kg**

Finishes

- **CC**  
CHROME
- **CF**  
BLACK CHROME
- **OO**  
GOLD
- **BB**  
ANTIQUE BRONZE
- **SS**  
BRUSHED NICKEL
- **CS**  
BRUSHED BLACK CHROME
- **BO**  
MATT WHITE
- **ONP**  
MATT BLACK
- **IS**  
BRUSHED PALE GOLD
- **OS**  
BRUSHED GOLD
- **II**  
PALE GOLD
- **RR**  
ANTIQUE COPPER
- **RS**  
ROSE GOLD
- **ON**  
NATURAL BRASS
- **SR**  
BRUSHED ROSE GOLD
- **PL**  
PLATINUM



Dimensions



Ceramic headwork

**G1/2" ceramic headwork**

Threaded fitting

**G1/2" female**

Aerator

Flow Rate (+/-10%)

**1 BAR**  
12.3 l/min

**2 BAR**  
17.5 l/min

**3 BAR**  
21.8 l/min

Production

**Main body is a single casted pieces**

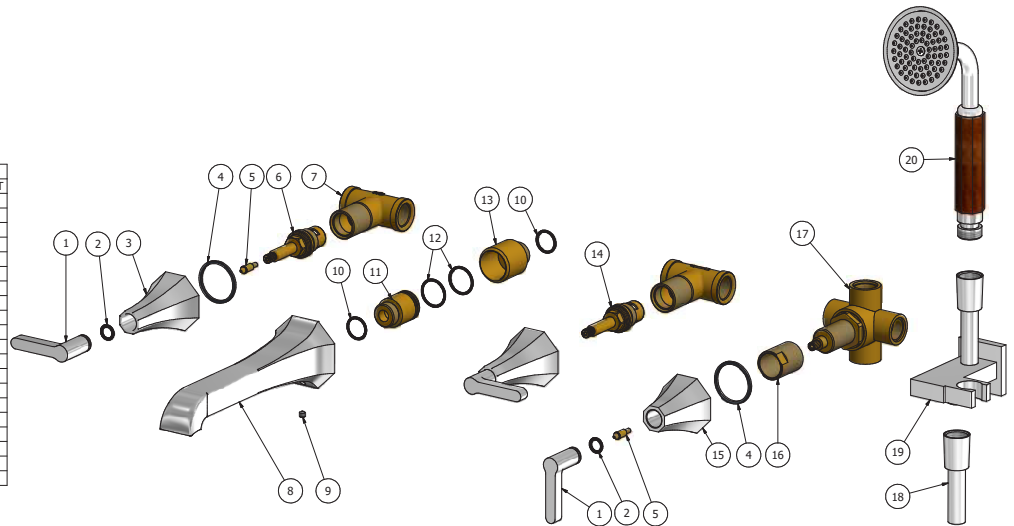
Material

**BRASS**  
According to CuZn35Pb2AL-B (CB752S)  
Max Lead content: 1.36%



# IB RUBINETTI

Elenco parti			
EL	CODICE	NUMERO DI MAGAZZINO	QT
1	CC0002160	Lever	3
2	AQ0010153	OR 10x2 NBR 70 SH	3
3	CC0002162	Octagonal bell H70	2
4	AQ0010274	Rubber packing Ø38x33.5x2	3
5	AQ0010617	Click connection for headworks with ring	3
6	AQ0010529	Ceramic headwork 90° SX H38.5 8x20	1
7	CC0002005	Built-in stopcocks G1/2"	2
8	CC0001901	Spout for recessed basin mixer L197	1
9	AQ0010117	Grubscrew M5x4 p.c.	1
10	AQ0004630	OR 17.16x1.78 NBR 70 SH	2
11	AS0010502	Insert Ø25.8 G1/2" L36.5	1
12	AQ0006637	OR 21.95x1.78 NBR 70 SH	2
13	AS0010503	Insert Ø31.5 H41	1
14	AQ0010528	Ceramic headwork 90° DX H38.5 8x20	1
15	CC0002232	Octagonal bell W26x19 H50	1
16	AS0009995	Bush for headwork W26 x 19 W22 x 19	1
17	AQ0010279	Diverter 2 in - 2 out complete short	1
18	AQ0010066	Supreme chromalux flexible hose	1
19	AQ0013637	Duplex	1
20	AQ0012007	Handshower	1



**WARRANTY**

All IB Rubinetterie SpA products are warranted for 10 years from the date of purchase, for the following cases:

- Defects of casting, porosity and chrome plating.
- Operating defects caused by incorrect fabrication.

The warranty provides for repair or replacement of products with fabrication defects recognized by our technical office. There is no other type of compensation anche the merchandise must be returned FOB our warehouse. The warranty only cover surface defects (scatches, dings, etc.) on fitting that have not been installed and used, returned in its original packaging with all components. O-ring, gasket seals and components subject to wear proportional to use are warranted for 2 years.

**The warranty is void in the following cases:**

Error installing and putting the product into service.

Deterioration of finisched surfaces due to use of cleaning products containing acids or abrasive substances. Deterioration of surface with finishes other than chrome plating. Their durability is, in fact, dependent on the user's care and gentleness of use.

Deterioration of the fitting due incorrect installation.

Improper repairs and maintenance performed without the company's prior authorization.

The warranty from IB Rubinetterie SpA is not renewable.

**Cleaning**

We recommended cleaning the finish surfaces with water and soap, using a soft cloth.

Do not use detergents that cointain hydrochloric acid or abrasive substances.

