

## ROW 45C

EXROW45C/NE - EXROW45C/BI

### DESIGN BY

Giorgio Cerrai & Cristina Razzanelli

### DESCRIPTION

Multifunctional rail with accessories

### MODULE DIMENSION

53,9 x 10,4 x h 8,1 cm  
OAK VASE 20 x 10 x h 6,3 cm  
RAIL 45 x 0,6 x h 2,5 cm  
SUPPORT FOR SHELF 53,7 x 9,6 x h 2,8 cm

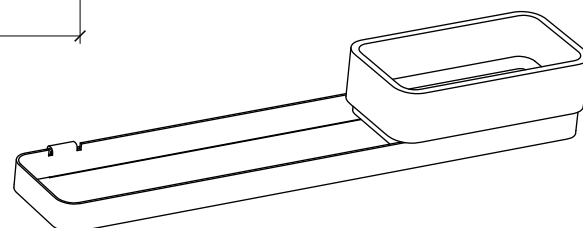
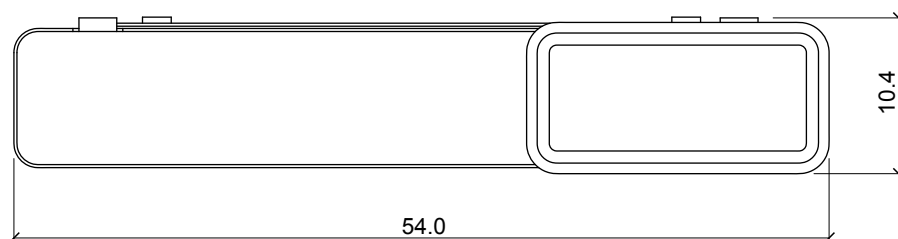
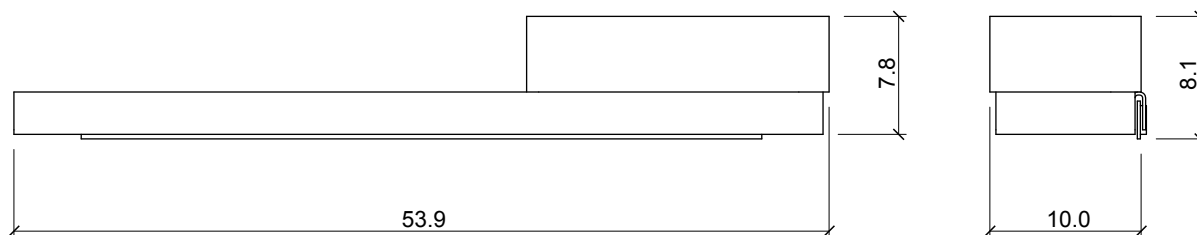
### MATERIALS

Oak with slight bleaching  
stainless steel varnished matt black  
glazed ceramic



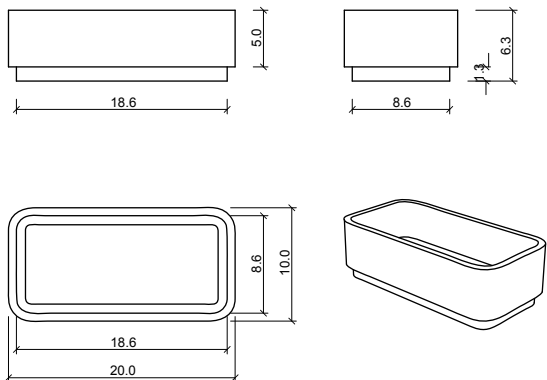
### COLORS

- White - RAL 9016
- Black - RAL 9004



## OAK VASE 20

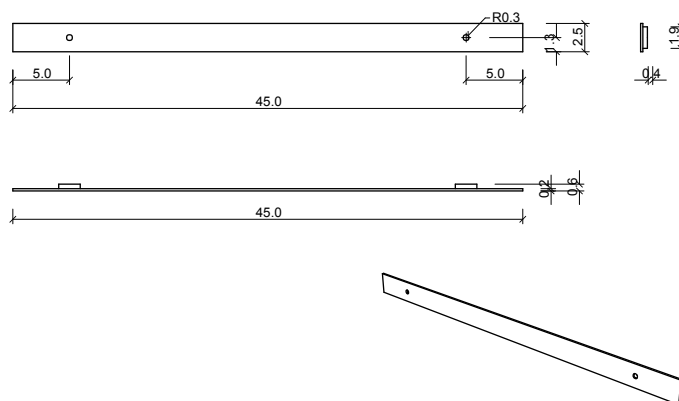
EXROWCONT200ROV



## RAIL 45

EXROWBARRA45/NE

EXROWBARRA45/BI



## SUPPORT FOR SHELF 54

EXROWPM543/NE

EXROWPM543/BI

