

ROW 45B

EXROW45B/NE - EXROW45B/BI

DESIGN BY

Giorgio Cerrai & Cristina Razzanelli

DESCRIPTION

Multifunctional rail with accessories

MODULE DIMENSION

53,9 x 10,3 x h 3,8 cm
CERAMIC TRAY 20 x 10 x h 2 cm
RAIL 45 x 0,6 x h 2,5 cm
SUPPORT FOR SHELF 53,7 x 9,6 x h 2,8 cm

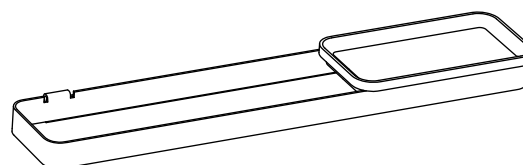
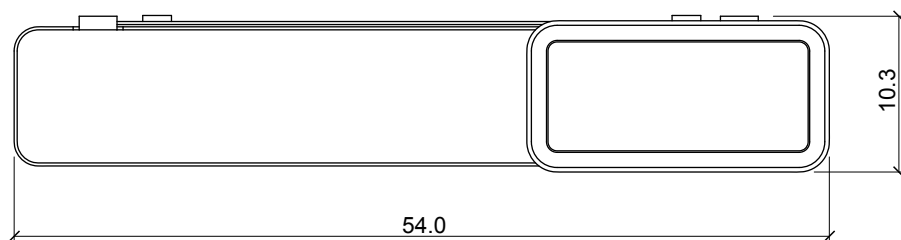
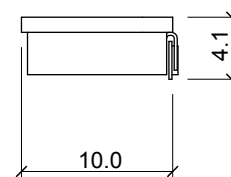
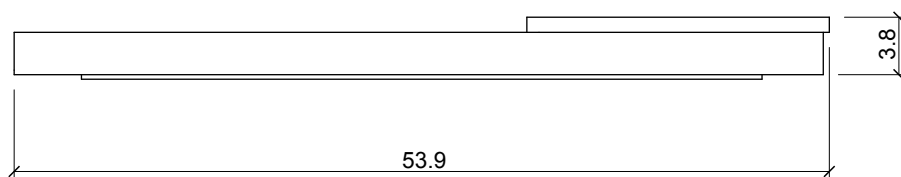
MATERIALS

Stainless steel varnished matt black
glazed ceramic



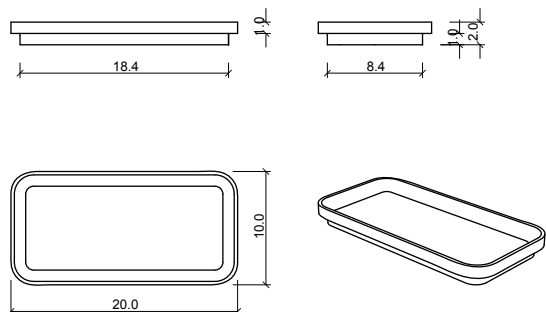
COLORS

- White - RAL 9016
- Black - RAL 9004



CERAMIC TRAY

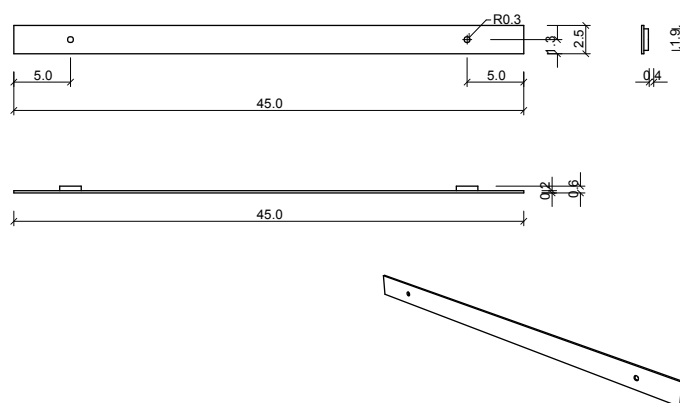
EXROWTOP200



RAIL 45

EXROWBARRA45/NE

EXROWBARRA45/BI



SUPPORT FOR SHELF 54

EXROWPM543/NE

EXROWPM543/BI

