

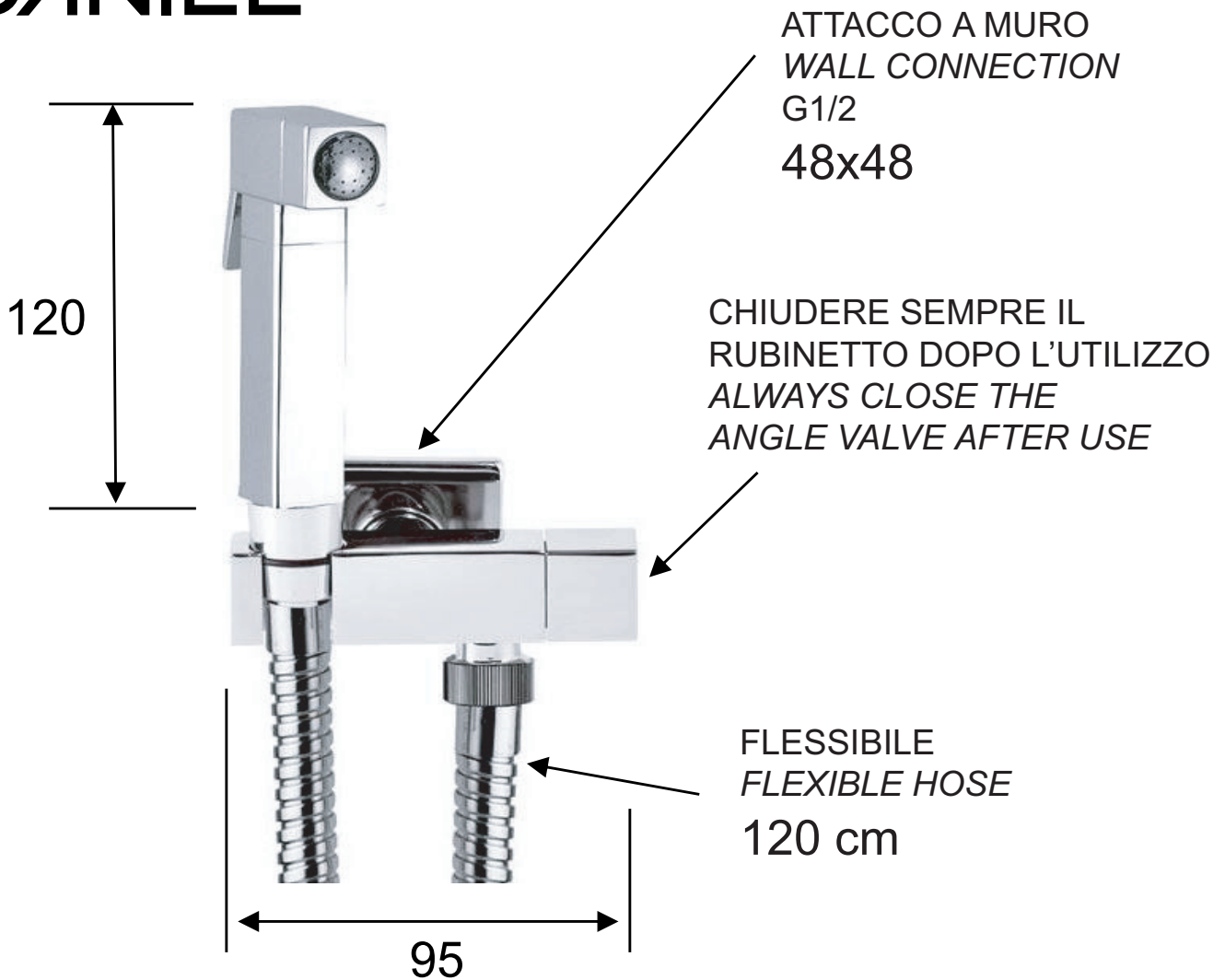


# DANIEL

## SCHEDA TECNICA TECHNICAL FEATURES

ART. COD.

**1025**



PRESSIONE MAX STATICA = 5 bar  
MAXIMUM STATIC PRESSURE = 5 bar

### MATERIALI / MATERIALS

OTTONE CROMATO / CHROME PLATED BRASS

### CROMATURA / CHROME PLATING

UNI EN 248