

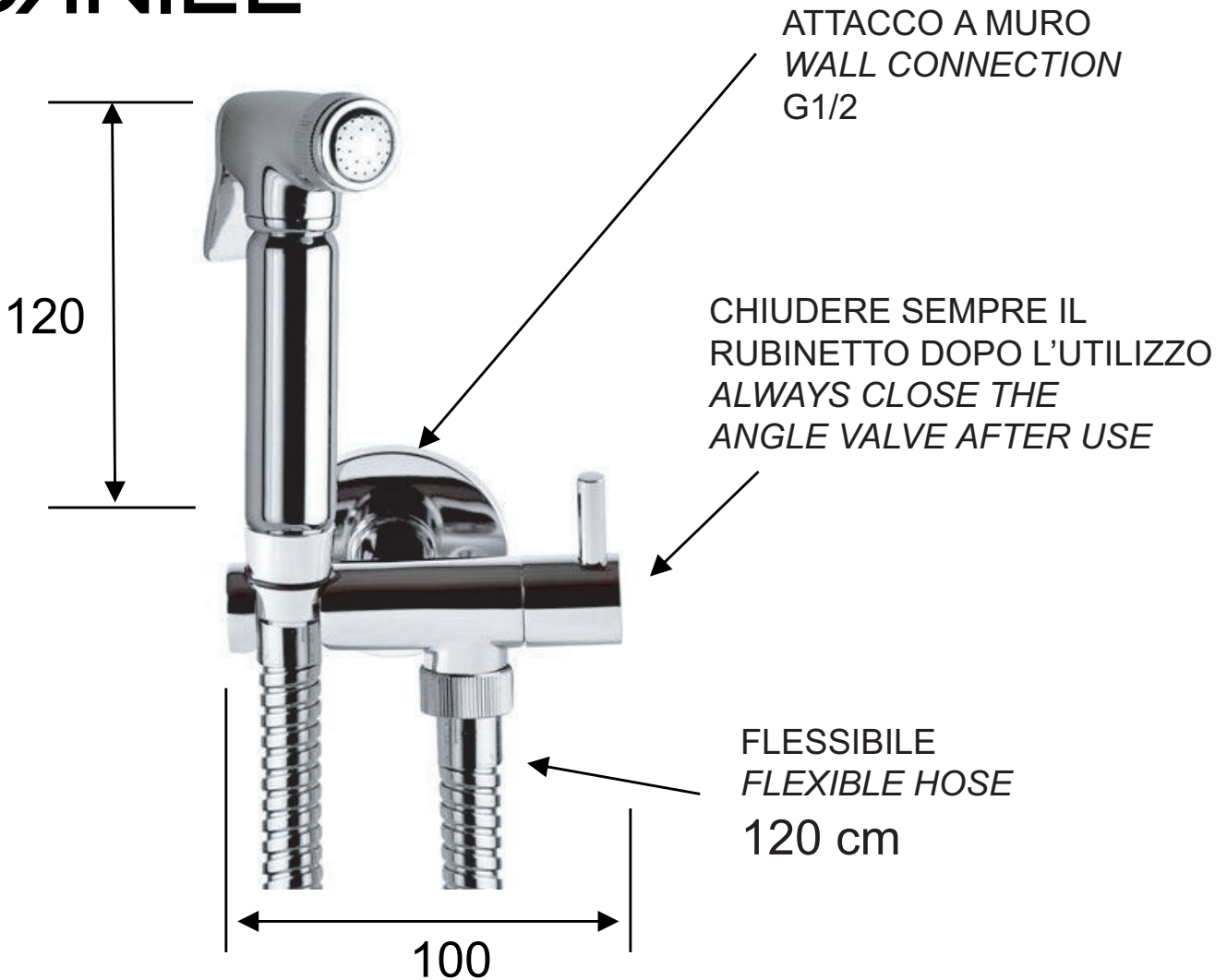


DANIEL

SCHEDA TECNICA TECHNICAL FEATURES

ART. COD.

1015



PRESSIONE MAX STATICA = 5 bar
MAXIMUM STATIC PRESSURE = 5 bar

MATERIALI / MATERIALS

OTTONE CROMATO / CHROME PLATED BRASS

CROMATURA / CHROME PLATING

UNI EN 248