

## Sink Uragano 1555 600

Sinks

Code: 1555 600



### DETAILS

Finish Foster brushed

---

Material AISI 304 stainless steel

---

Texture Foster brushed

---

Base 100 cm

---

Edge/Installation Type Standard (8 mm Edge)

---

Dimensions 970x500 mm

---

Standard fittings Fixing hooks, gasket, drain, overflow and siphon, boxed packing

---

Mixer holes 1 standard hole - 2nd hole on request

---

Built-in hole 950x480 mm

---

Drainer No

---

Width 97 cm

---

Bowl dimension 910x440mm

---

Number of bowls 1 bowl

---

Waste fitting 3,5" drain

---

## FEATURES

**Basket 3,5" waste fitting** The drain is equipped with a large 3.5" drain, with the practical basket cap that prevents the discharge of solid parts. The 3.5 "drain allows the use of the Foster waste-disposer, compatible with all models.

---

**Deep bowls** This bowls reach an important depth, over 20 cm, thanks to the advanced production technology, that can be offer great capieny and praticity in all the washing operations.

---

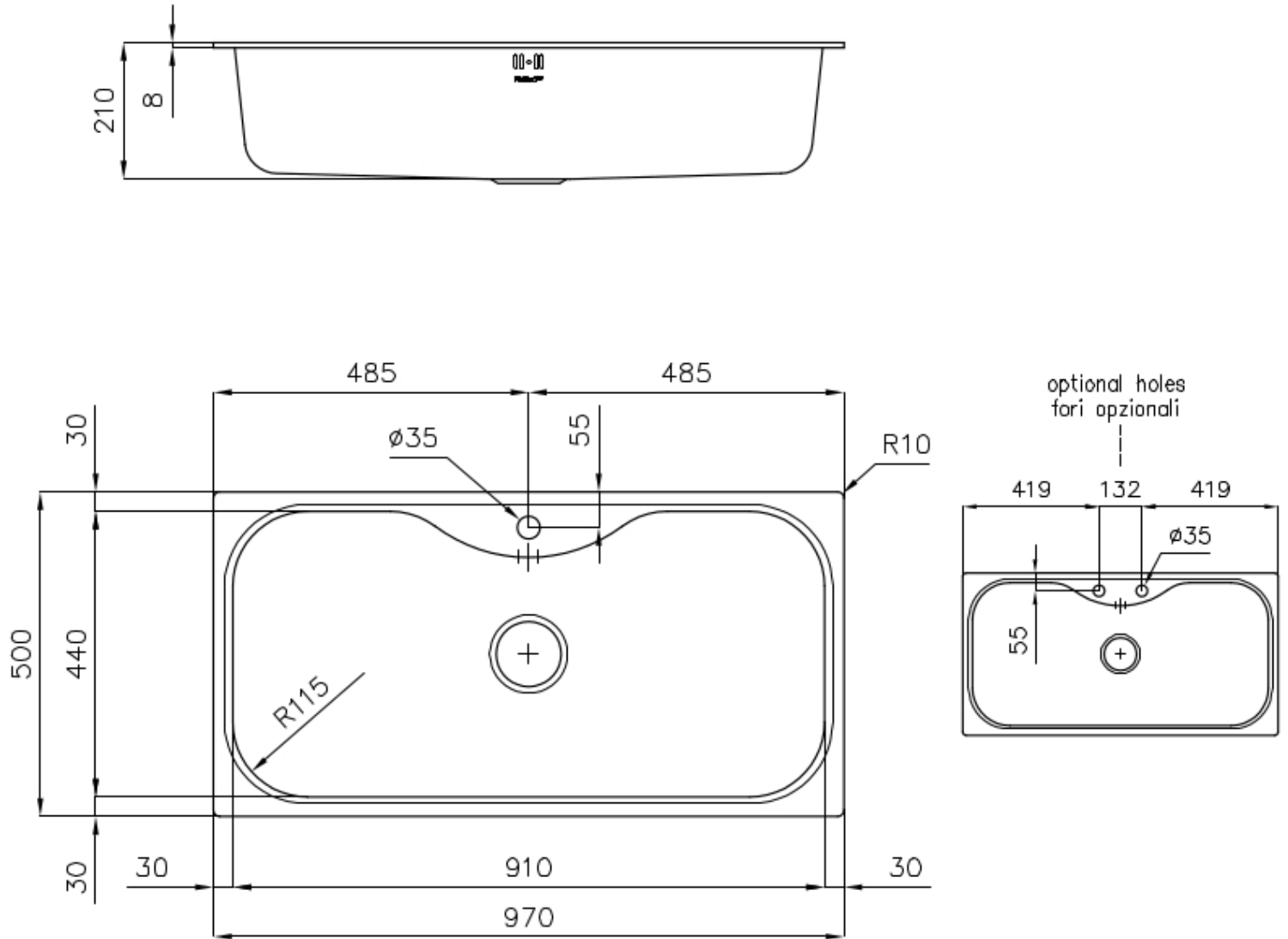
**High thickness** 1mm thick steel. A significant thickness, which guarantees the maximum sturdiness and durability.

---

**Sliding brackets**

---

## TECHNICAL DATA



## GALLERY



## OPTIONAL ACCESSORIES



Iroko-wood chopping board 8659 112



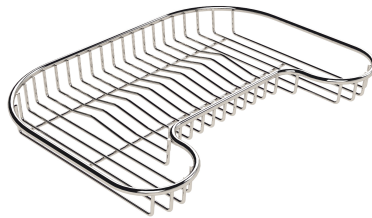
Iroko-wood twin chopping board 8644 003



Stainless steel bowl-holder ring 8100 112



Stainless steel colander 8154 000



Stainless steel plate rack 8100 111



Stainless steel plate rack 8100 154



Vaschetta bianca 8152 100



White colander 8151 100

### **WARNING:**

**The accessories 8100154, 8154000 are only usable in combination with 8644003**

**The accessory 8152100 is only usable in combination with 8100112**

## RECOMMENDED PAIRINGS



Mixer Tap KS Plus 8522 000



Mixer Tap Magnum 8484 000