



Name: CLUB-A 2L

Design: Luís Viñas / 2012

Typology: Wall lamp

Environment: Indoor

Technical description:

Wall light with black matte aluminum shade, and a white, B1 flame resistant PVC interior shade lining. Exposed steel screws allow for easy adjustment of swivel arm; fixture can be tightened to remain stationary or adjusted to move loosely. The iron structure has a satin nickel finishing, with lamp holder switch. The upper diffuser of black matte aluminum is included in the fixture, and additional shades may be purchased as needed. Only the fixture finishing and lamp shade color are customizable.



Lamps description

Earthing: excluded

Ready for mounting on normally flammable surface

2 x 42 W Classic P ECO E-27

2 x 11 W E-14

Voltage: 230V~50Hz

1 Box 47 x 47 x 35 cm

Vol.: 0,0773 m³

Weight: 4 kg

Certifications: Intertek 4006618

Ref **Finishings**

1232812 matte black-nickel

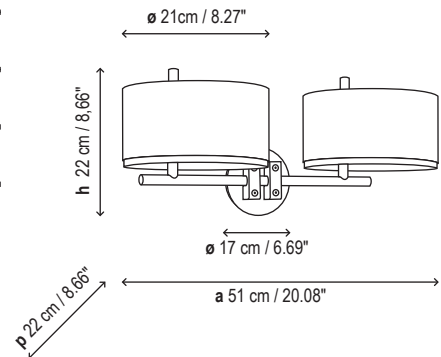
Black aluminum shade

White PVC interior B1 Flame Resistant

Included aluminum top diffuser

Not Customizable

Measures



Project information

Project name:	Approved by:
Fixture type:	Date:
Location:	Prepared by:
Comments:	Prepared for:

Photometrics