

# CARPET

A-2911L

## wall lamp

Date	Type
Project	
Location	
Model #	Quantity
Specifier	

### Description

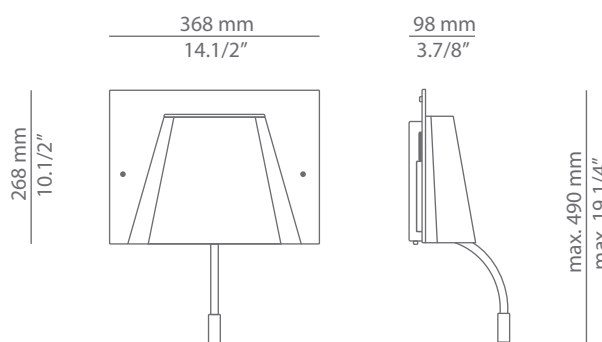
Wall lamp providing direct and indirect light.  
 White satin acrylic shade and bottom metal plate.  
 Flexible reading arm.  
 Two integral independent on/off switches.



Pictures above might not show the specified dimensions or material. They are for illustration purposes only.

### Ordering information

Product Code	Lamp	Finish
■ A-2911L	■ LED 15W (2700K / Ang 120° / >80 CRI) 230V (included) / Typ* 1275 lumens ⊕ LED 1W (3000K / Ang 60° / >80 CRI / 350mA) Universal Voltage (included) / Typ* 96 lumens	■ 79 WH White ■ CUSTOM



## SPECIAL REQUIREMENTS

### Custom finishes and versions

Alternate lamping and sizes available for projects. Consult our offices.

### Special instructions

---



---



---